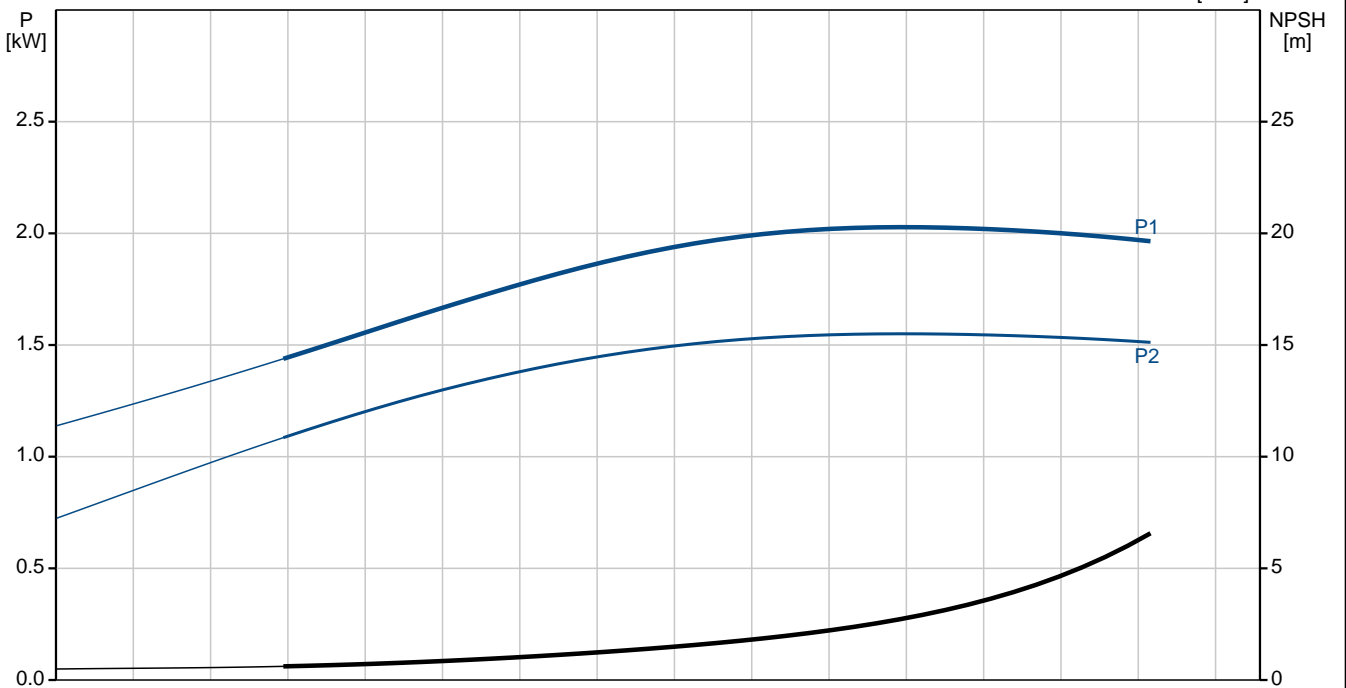
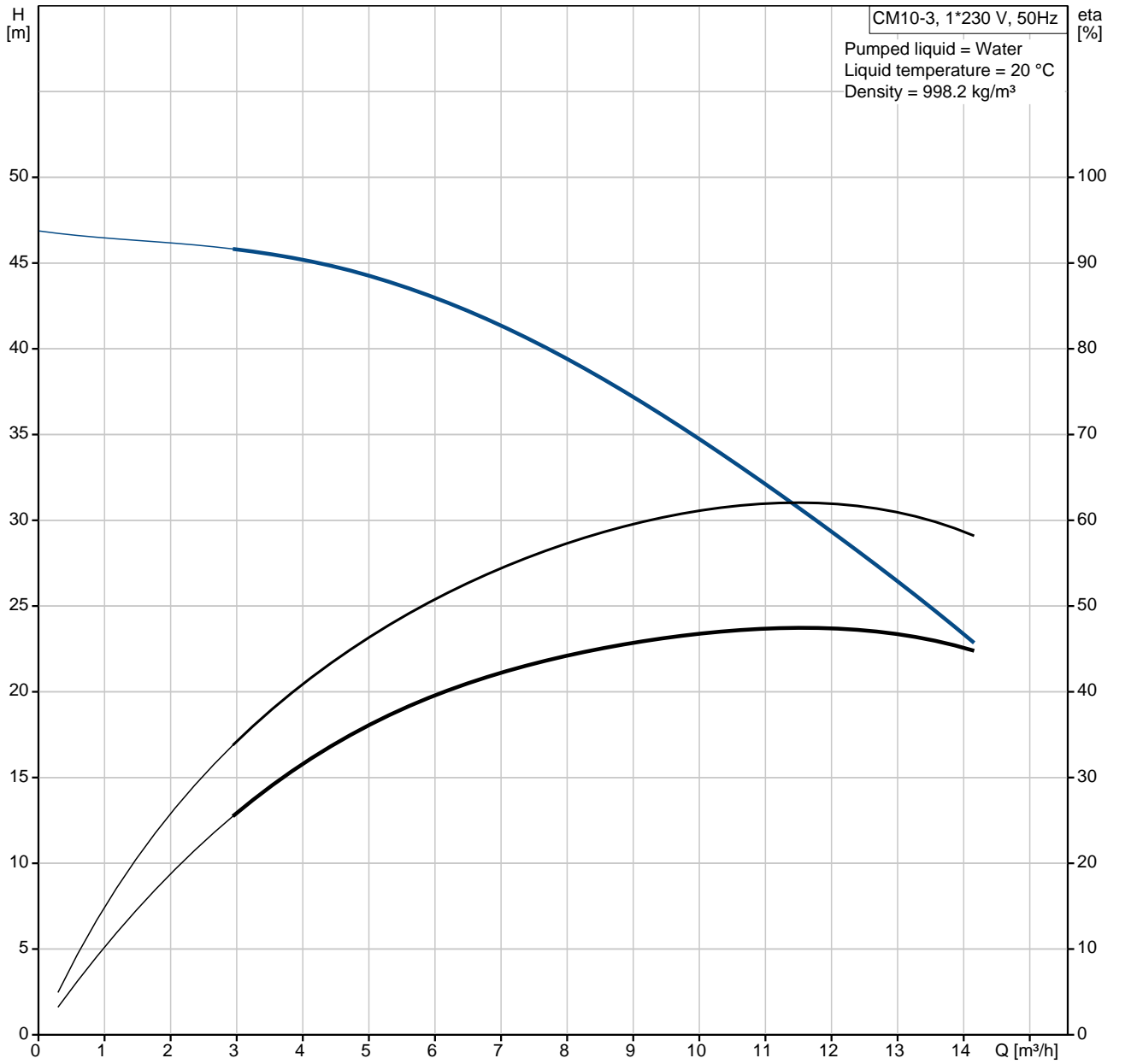
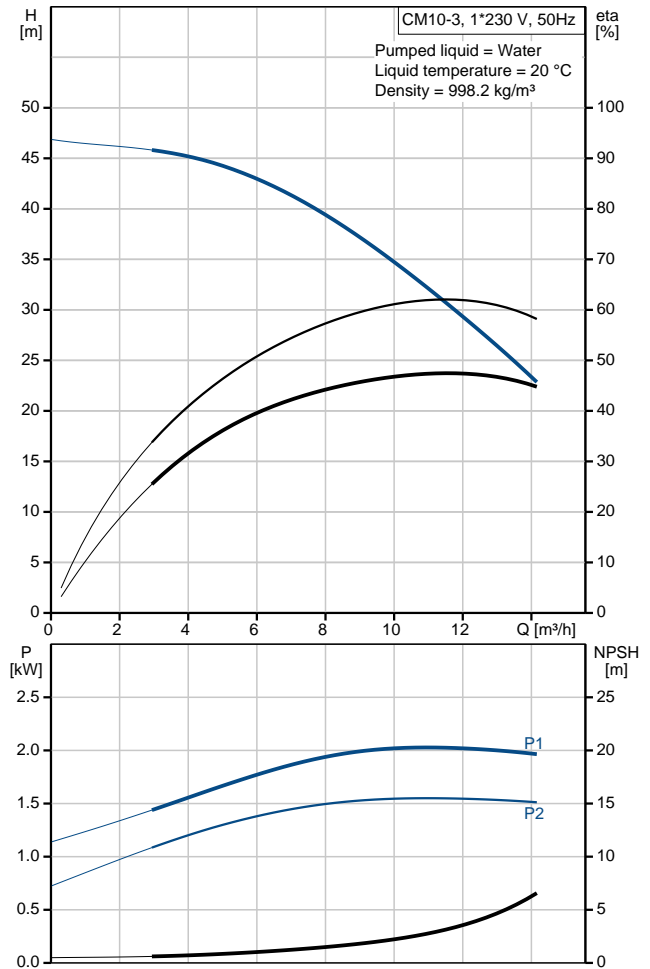


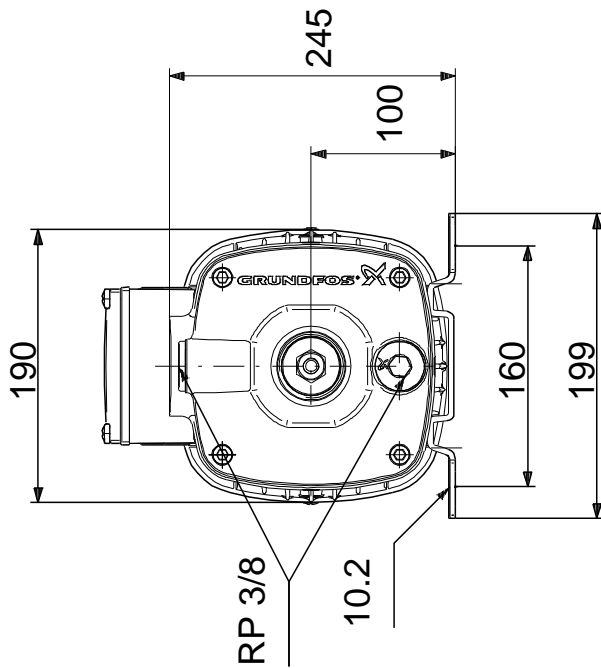
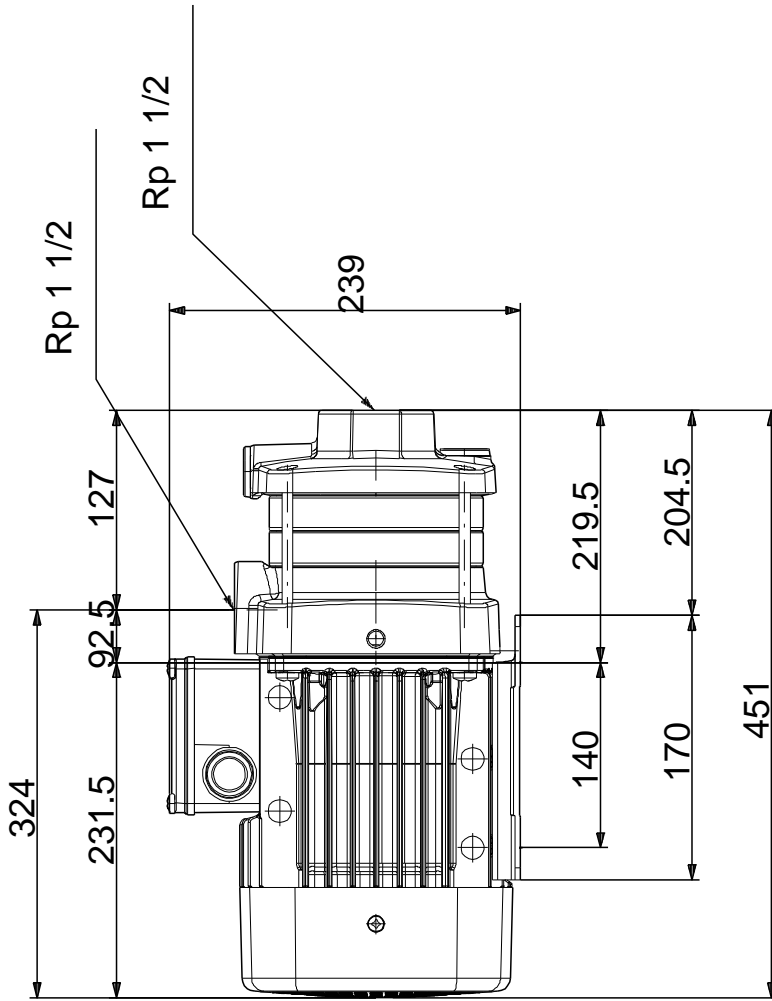
# 96806943 CM10-3 50 Hz



Description	Value
Product name:	CM10-3 A-R-A-E-AVBE
Product No:	96806943
EAN number:	5700310918907
Price:	On request
<b>Technical:</b>	
Speed for pump data:	2900 rpm
Rated flow:	10 m <sup>3</sup> /h
Rated head:	40.5 m
Impellers:	3
Shaft seal:	AVBE
Approvals on nameplate:	CE,WRAS,ACS,TR
Curve tolerance:	ISO 9906:1999 Annex A
Pump version:	A
Model:	A
<b>Materials:</b>	
Pump housing:	Cast iron EN-JL1030 AISI 30 B
Impeller:	Stainless steel DIN W.-Nr. 1.4301 AISI 304
Material code:	A
Rubber:	EPDM
Code for rubber:	E
<b>Installation:</b>	
Maximum ambient temperature:	55 °C
Maximum operating pressure:	10 bar
Max pressure at stated temp:	6 bar / 90 °C 10 bar / 40 °C
Flange standard:	WHITWORTH THREAD RP
Connect code:	R
Pump inlet:	Rp 1 1/2
Pump outlet:	Rp 1 1/2
<b>Liquid:</b>	
Pumped liquid:	Water
Liquid temperature range:	-20 .. 90 °C
Liquid temp:	20 °C
Density:	998.2 kg/m <sup>3</sup>
<b>Electrical data:</b>	
Motor type:	90SB
Rated power - P2:	1.9 kW
Mains frequency:	50 Hz
Rated voltage:	1 x 220-240 V
Service factor:	1
Rated current:	11,0-10,0 A
Rated speed:	2755-2770 rpm
Enclosure class (IEC 34-5):	IP55
Insulation class (IEC 85):	F
Motor protec:	TP211
<b>Others:</b>	
Minimum efficiency index, MEI :	0,7
Net weight:	32.6 kg
Gross weight:	35.1 kg



96806943 CM10-3 50 Hz



Note! All units are in [mm] unless others are stated.  
 Disclaimer: This simplified dimensional drawing does not show all details.