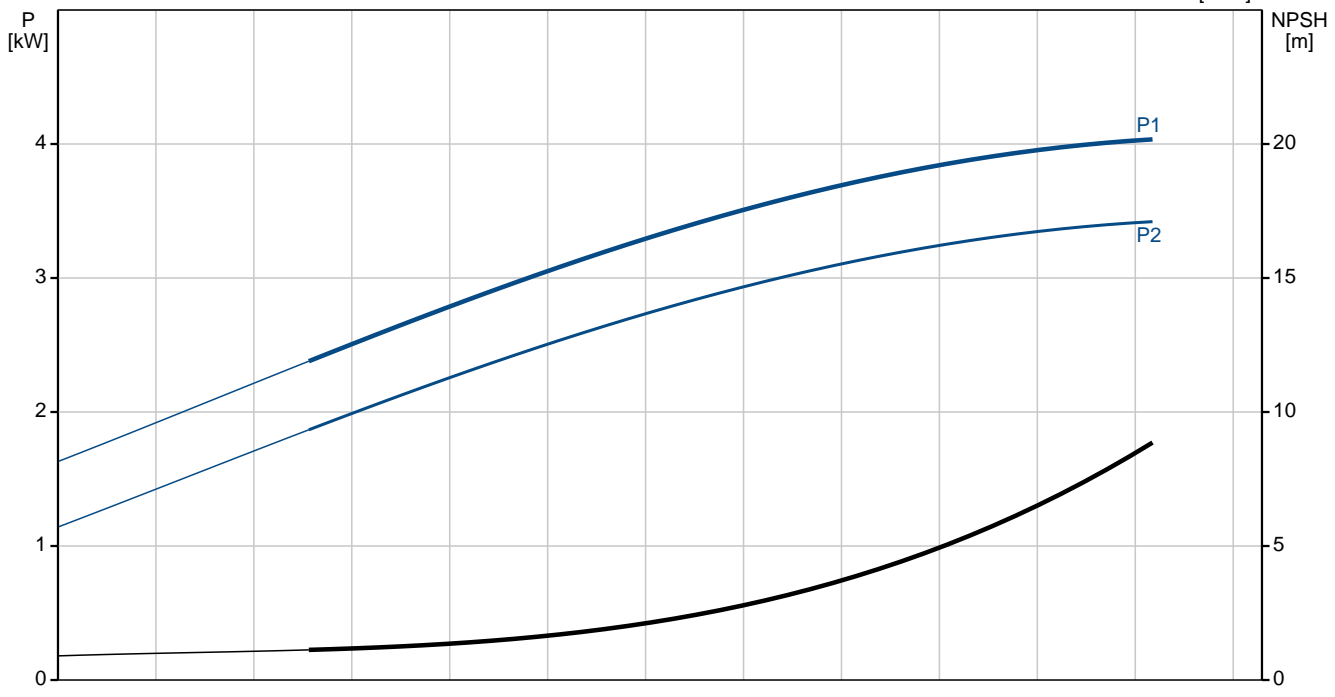
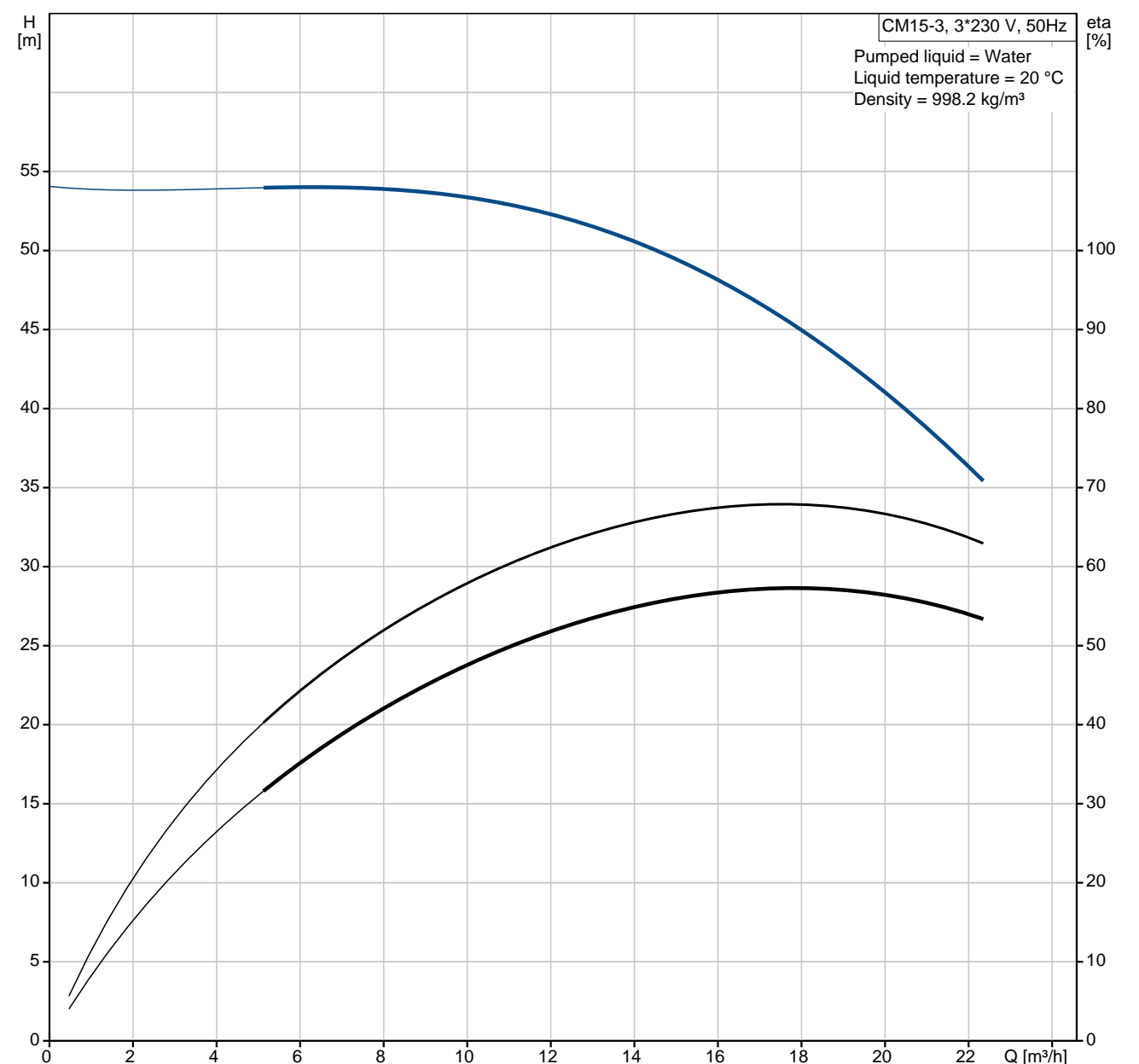
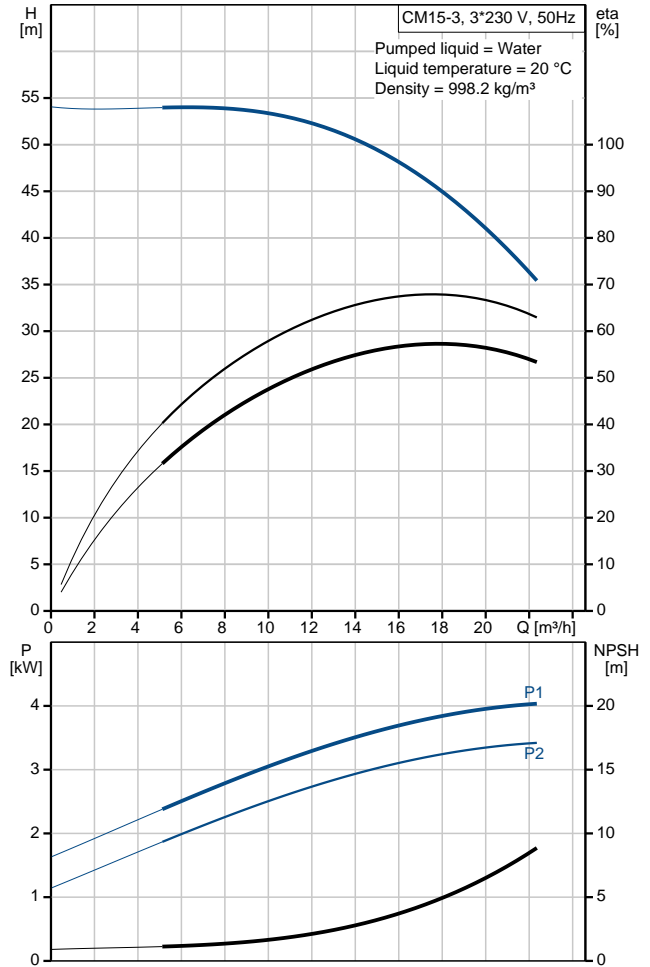


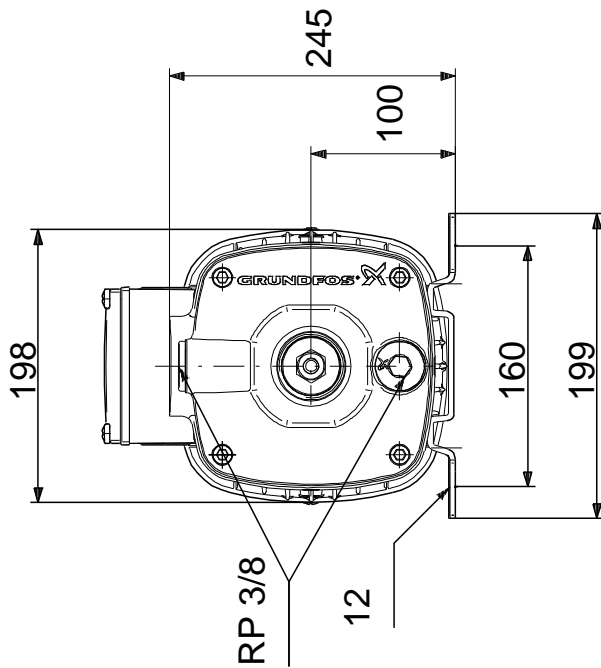
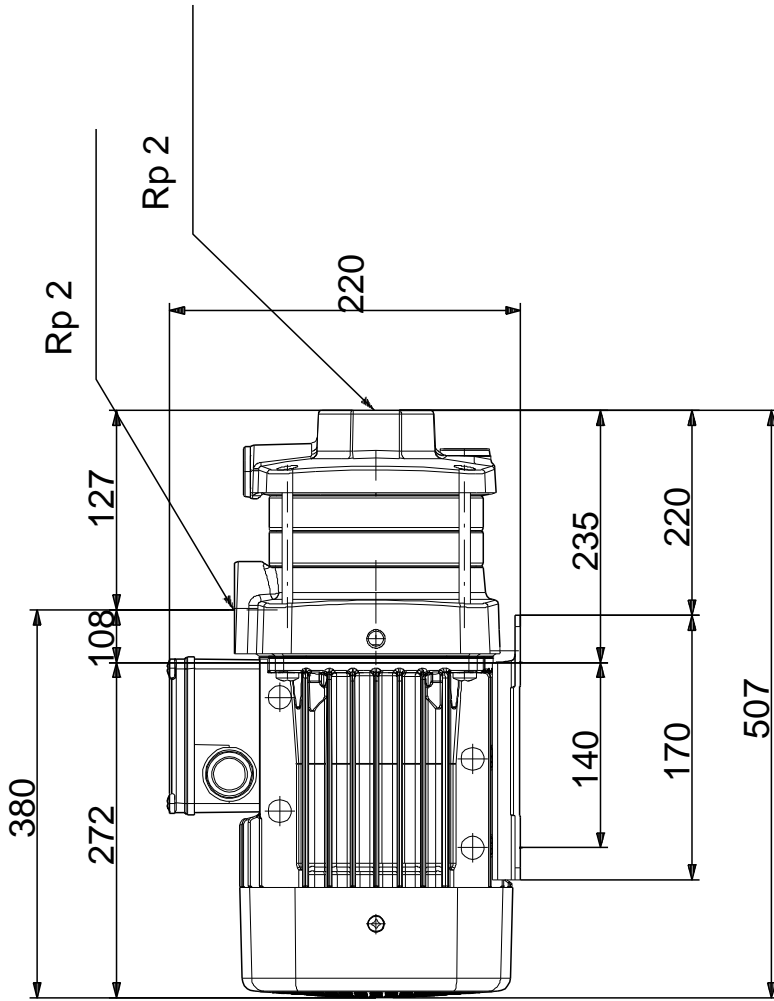
96935495 CM15-3 50 Hz



Description	Value
Product name:	CM15-3 A-R-A-E-AVBE
Product No:	96935495
EAN number:	5700314054038
Price:	On request
Technical:	
Speed for pump data:	2900 rpm
Rated flow:	17 m ³ /h
Rated head:	44.6 m
Impellers:	3
Shaft seal:	AVBE
Approvals on nameplate:	CE,WRAS,ACS,TR
Curve tolerance:	ISO 9906:1999 Annex A
Pump version:	A
Model:	A
Materials:	
Pump housing:	Cast iron EN-JL1030 AISI 30 B
Impeller:	Stainless steel DIN W.-Nr. 1.4301 AISI 304
Material code:	A
Rubber:	EPDM
Code for rubber:	E
Installation:	
Maximum ambient temperature:	55 °C
Maximum operating pressure:	10 bar
Max pressure at stated temp:	6 bar / 90 °C 10 bar / 40 °C
Flange standard:	WHITWORTH THREAD RP
Connect code:	R
Pump inlet:	Rp 2
Pump outlet:	Rp 2
Liquid:	
Pumped liquid:	Water
Liquid temperature range:	-20 .. 90 °C
Liquid temp:	20 °C
Density:	998.2 kg/m ³
Electrical data:	
Motor type:	100LB
IE Efficiency class:	IE2
Rated power - P2:	4 kW
Mains frequency:	50 Hz
Rated voltage:	3 x 220-240D/380-415Y V
Service factor:	1
Rated current:	14,0-13,2/8,20-7,80 A
Rated speed:	2900-2920 rpm
Efficiency:	IE2 85,8 %
Motor efficiency at full load:	85,8 %
Enclosure class (IEC 34-5):	IP55
Insulation class (IEC 85):	F
Motor protec:	TP211
Others:	
Minimum efficiency index, MEI :	0,7
Net weight:	40.2 kg
Gross weight:	42.7 kg



96935495 CM15-3 50 Hz



Note! All units are in [mm] unless others are stated.
 Disclaimer: This simplified dimensional drawing does not show all details.