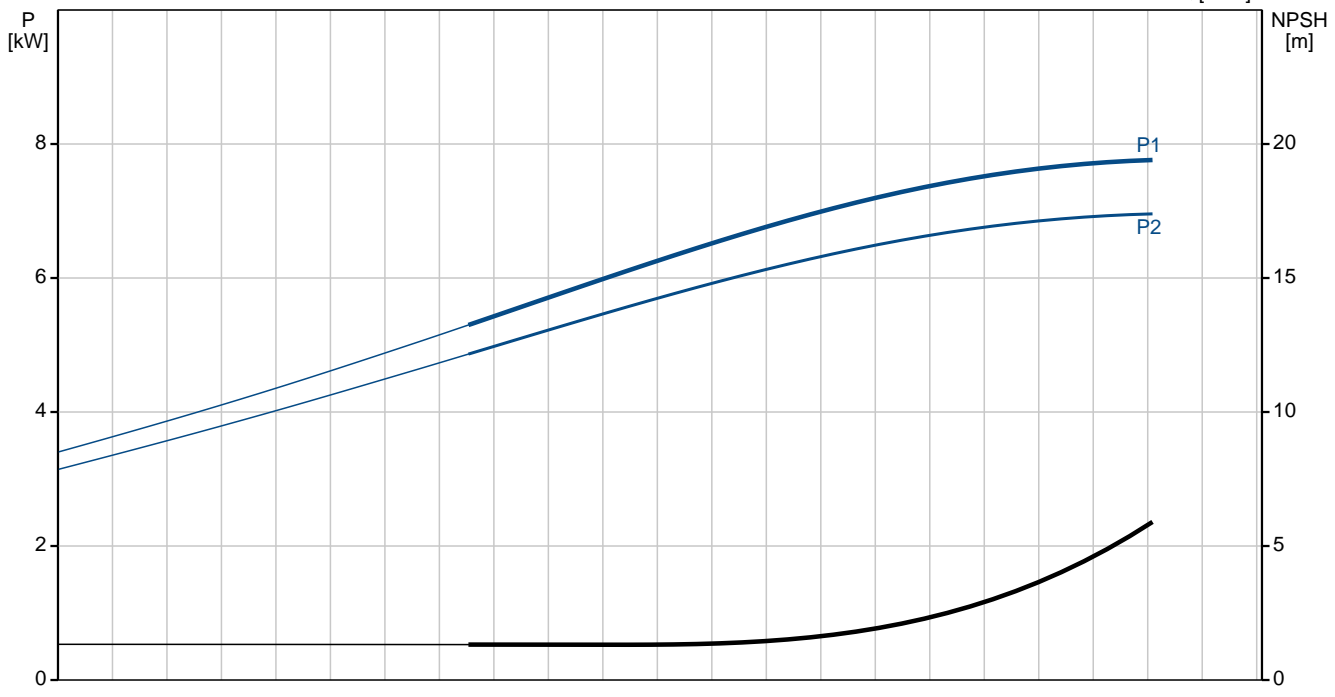
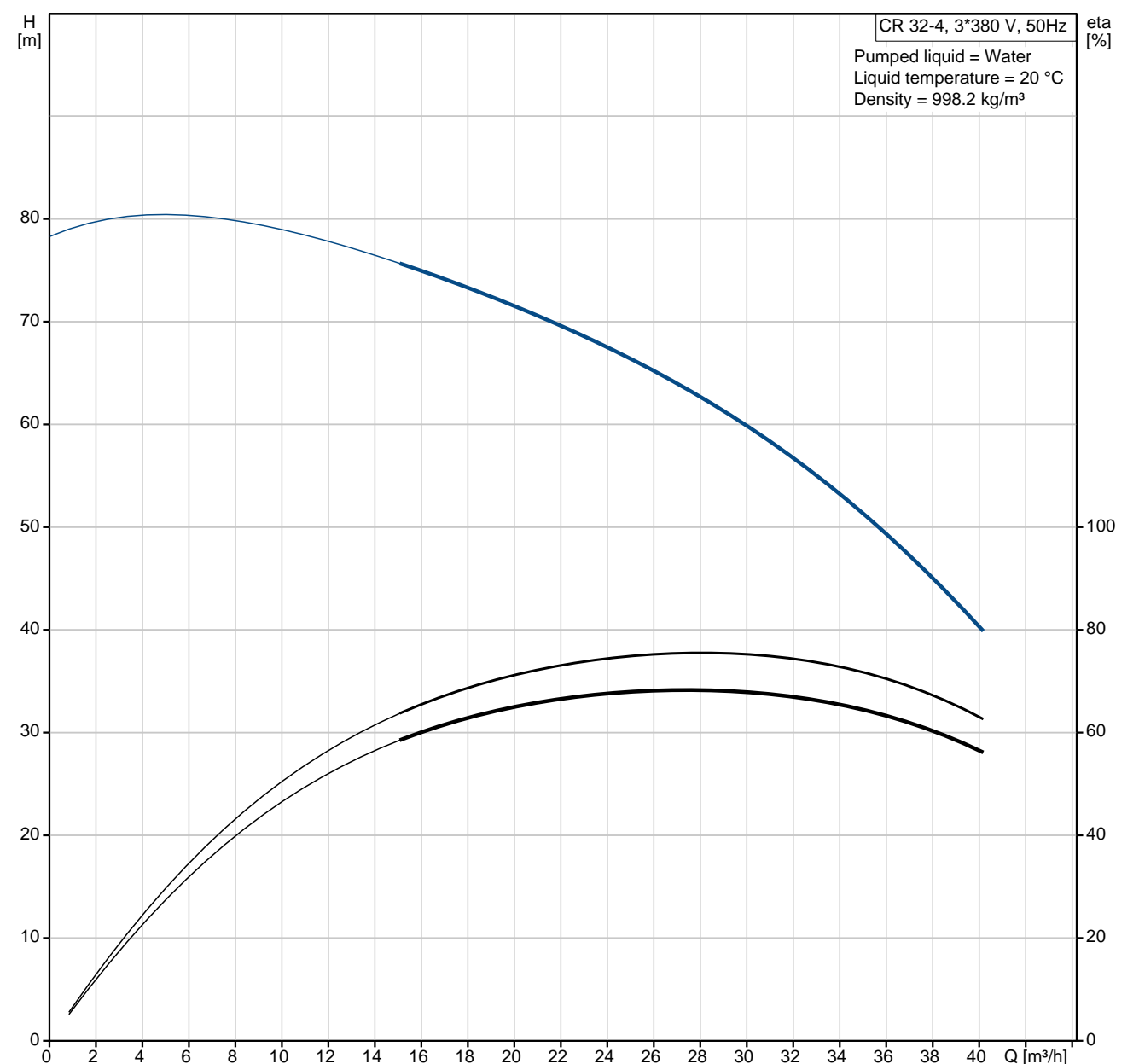


96121957 CR 32-4 50 Hz



Description	Value
Product name:	CR 32-4 A-F-A-E-HQQE
Product No:	96121957
EAN number:	5700396680019
Price:	On request

Technical:

Speed for pump data:	2919 rpm
Rated flow:	30 m ³ /h
Rated head:	59.1 m
Head max:	77.8 m
Impellers:	4
Shaft seal:	HQQE
Approvals on nameplate:	CE, TR
Curve tolerance:	ISO 9906:1999 Annex A
Pump type:	CR 32
Stages:	4
Pump version:	A
Model:	A

Materials:

Pump housing:	Cast iron EN-JS1050 ASTM 80-55-06
Impeller:	Stainless steel DIN W.-Nr. 1.4301 AISI 304
Material code:	A
Code for rubber:	E

Installation:

Maximum ambient temperature:	60 °C
Max pressure at stated temp:	16 bar / 120 °C 16 bar / -30 °C
Flange standard:	DIN
Connect code:	F
Pipe connection:	DN 65
Pressure stage:	PN 16 / PN 25 / PN 40
Flange size for motor:	FF265

Liquid:

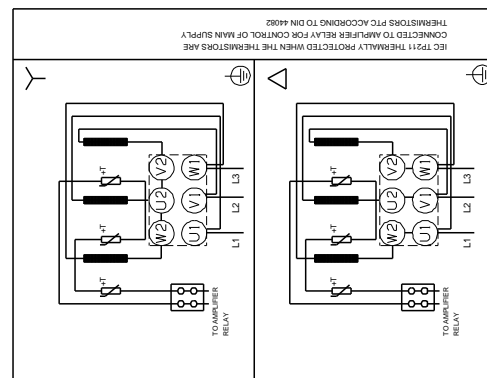
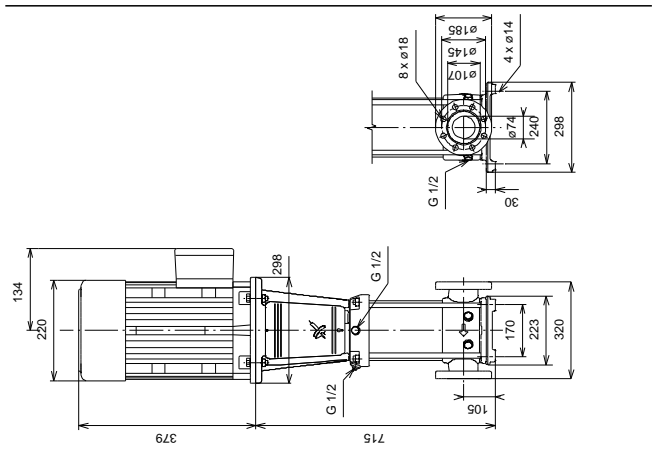
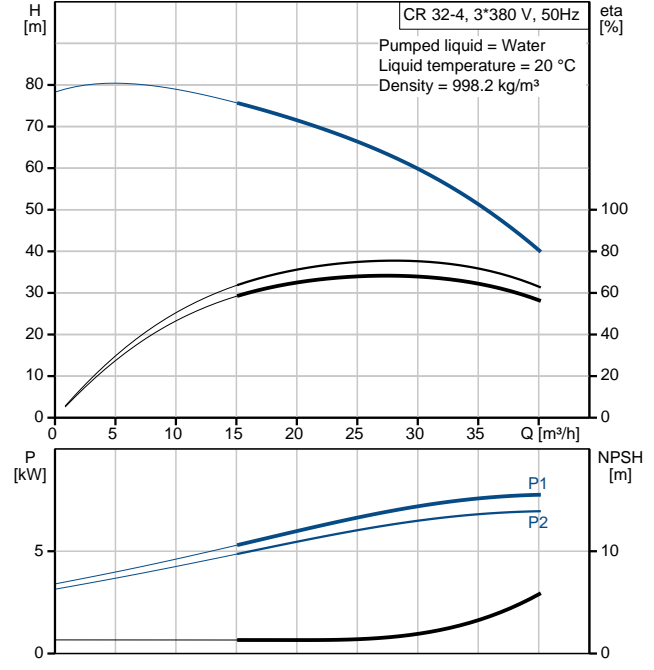
Pumped liquid:	Water
Liquid temperature range:	-30 .. 120 °C
Liquid temp:	20 °C
Density:	998.2 kg/m ³
Kinematic viscosity:	1 mm ² /s

Electrical data:

Motor type:	132SB
IE Efficiency class:	IE3
Number of poles:	2
Rated power - P2:	7.5 kW
Power (P2) required by pump:	7.5 kW
Mains frequency:	50 Hz
Rated voltage:	3 x 220-240 D/380-415 Y V
Rated current:	25,0-24,2/14,4-14,0 A
Starting current:	780-910 %
Cos phi - power factor:	0,88-0,82
Rated speed:	2910-2920 rpm
Efficiency:	IE3 90,1%
Enclosure class (IEC 34-5):	55 (Protect. water jets/dust)
Insulation class (IEC 85):	F
Motor protec:	PTC
Motor No:	85U07522

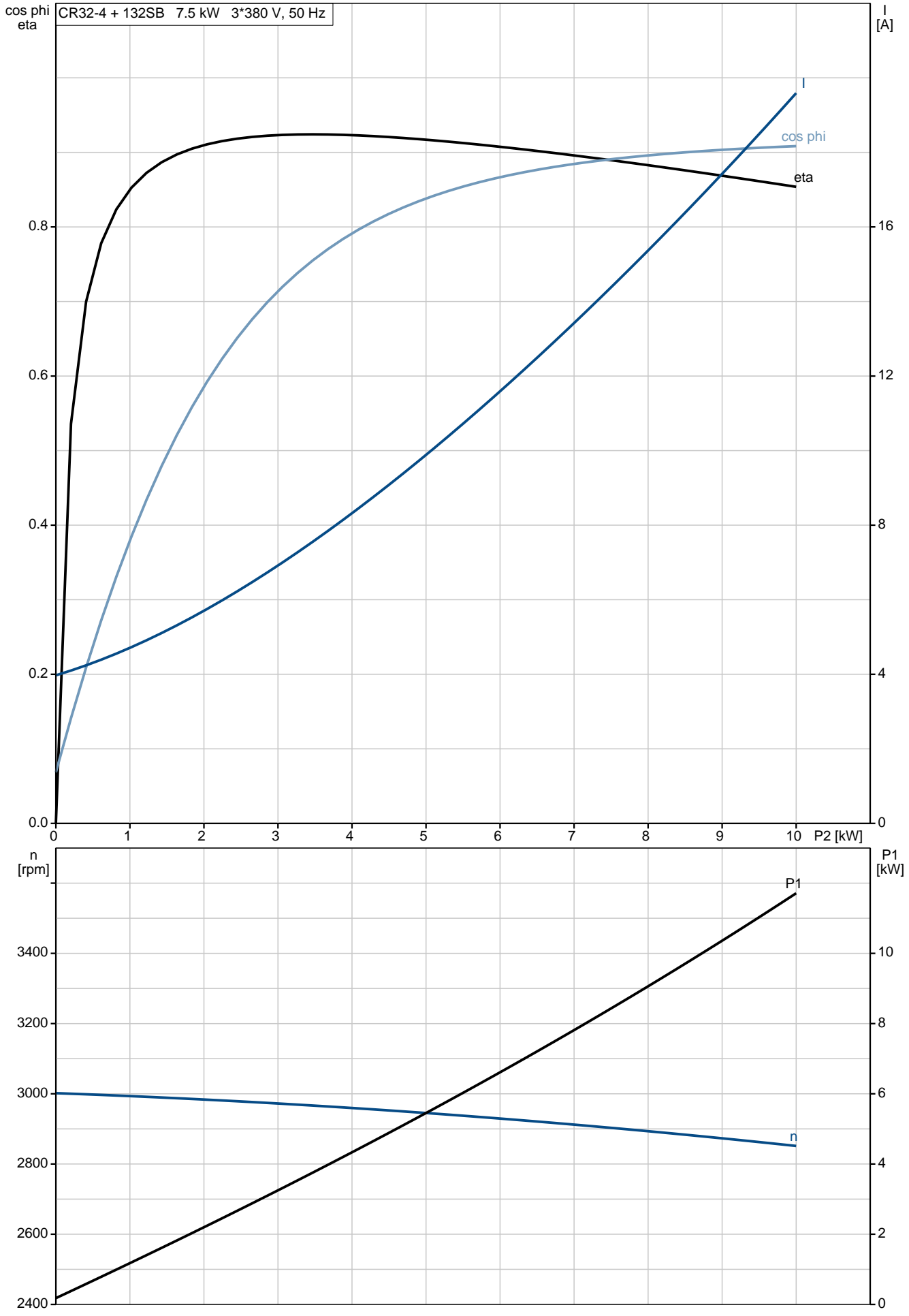
Others:

Label:	Grundfos Blueflux
Minimum efficiency index, MEI :	0.7
Net weight:	110 kg
Gross weight:	133 kg
Shipping volume:	0.3 m ³

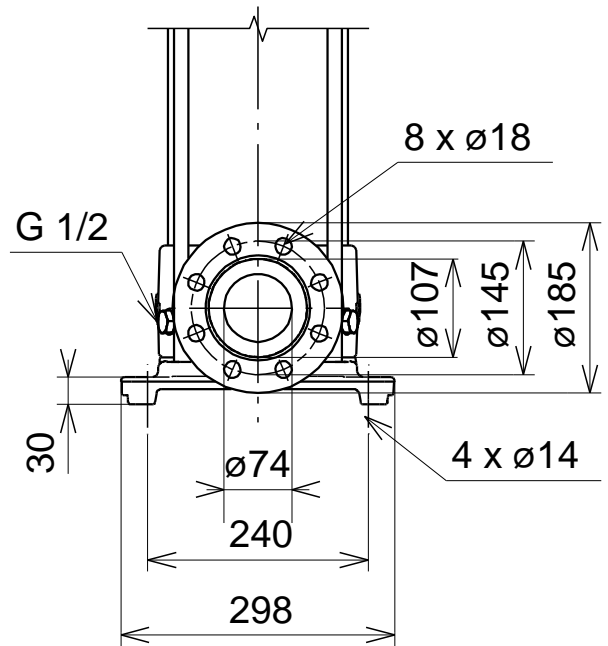
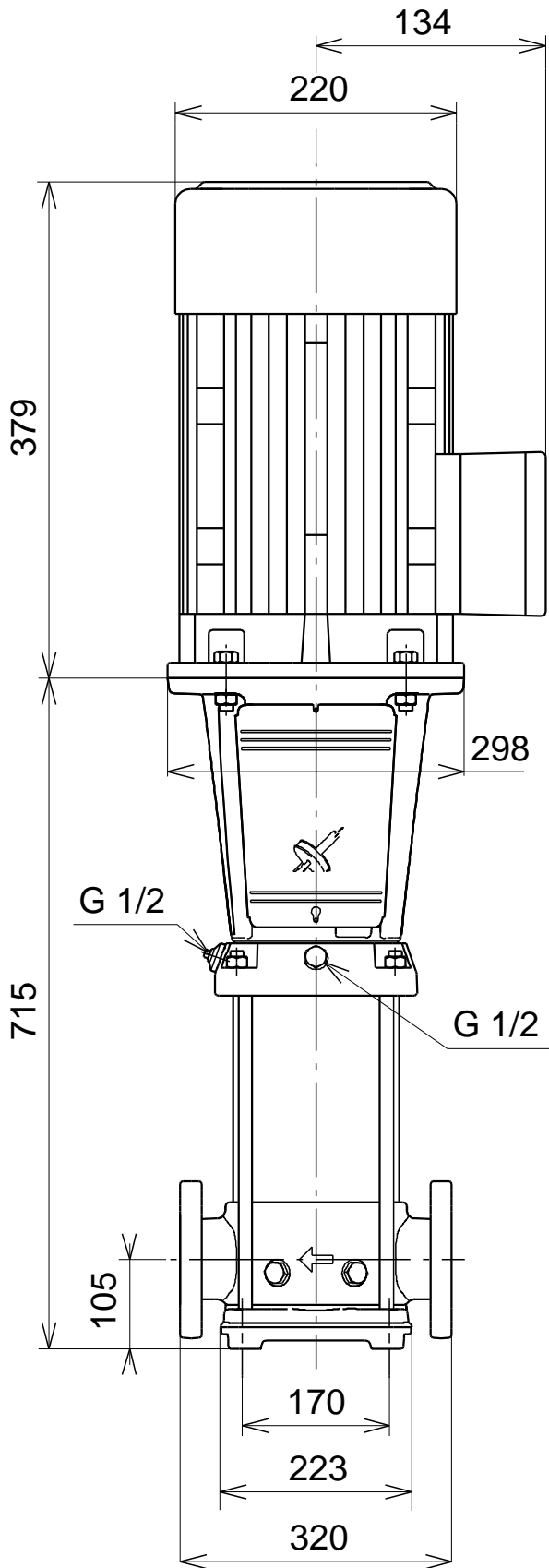


96121957 CR 32-4 50 Hz

CR32-4 + 132SB 7.5 kW 3*380 V, 50 Hz



96121957 CR 32-4 50 Hz



Note! All units are in [mm] unless others are stated.
Disclaimer: This simplified dimensional drawing does not show all details.