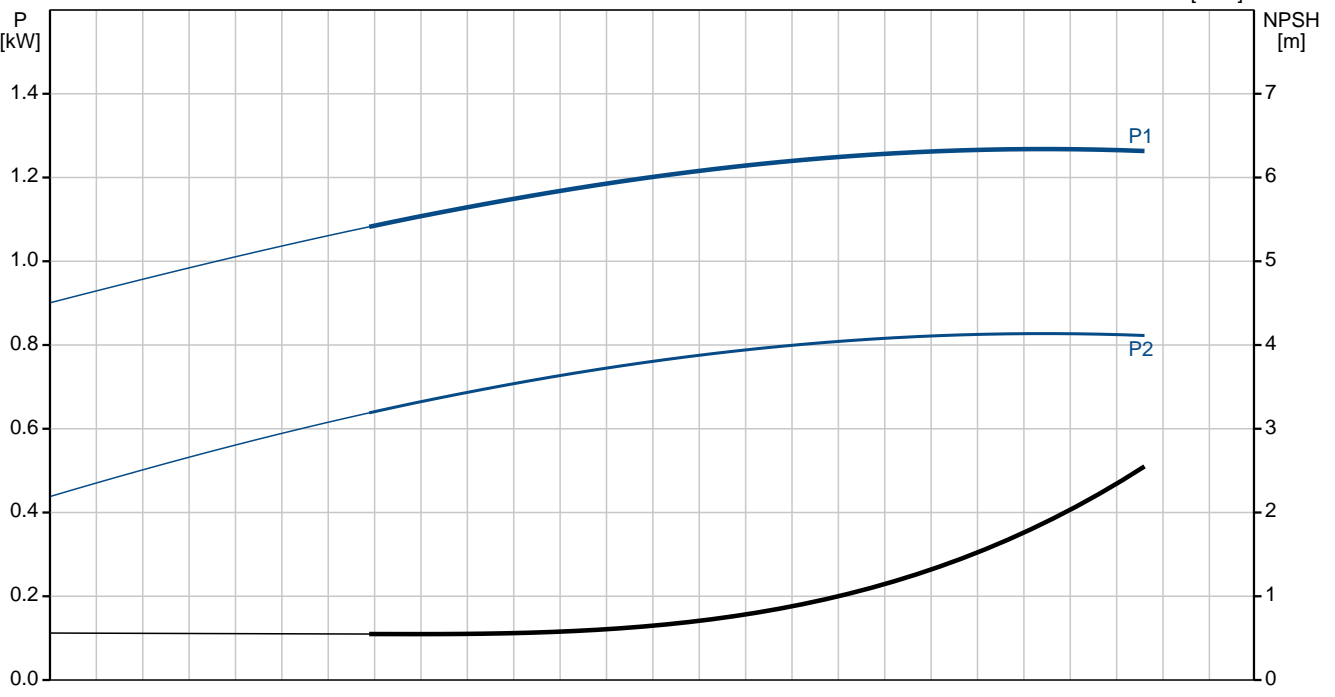
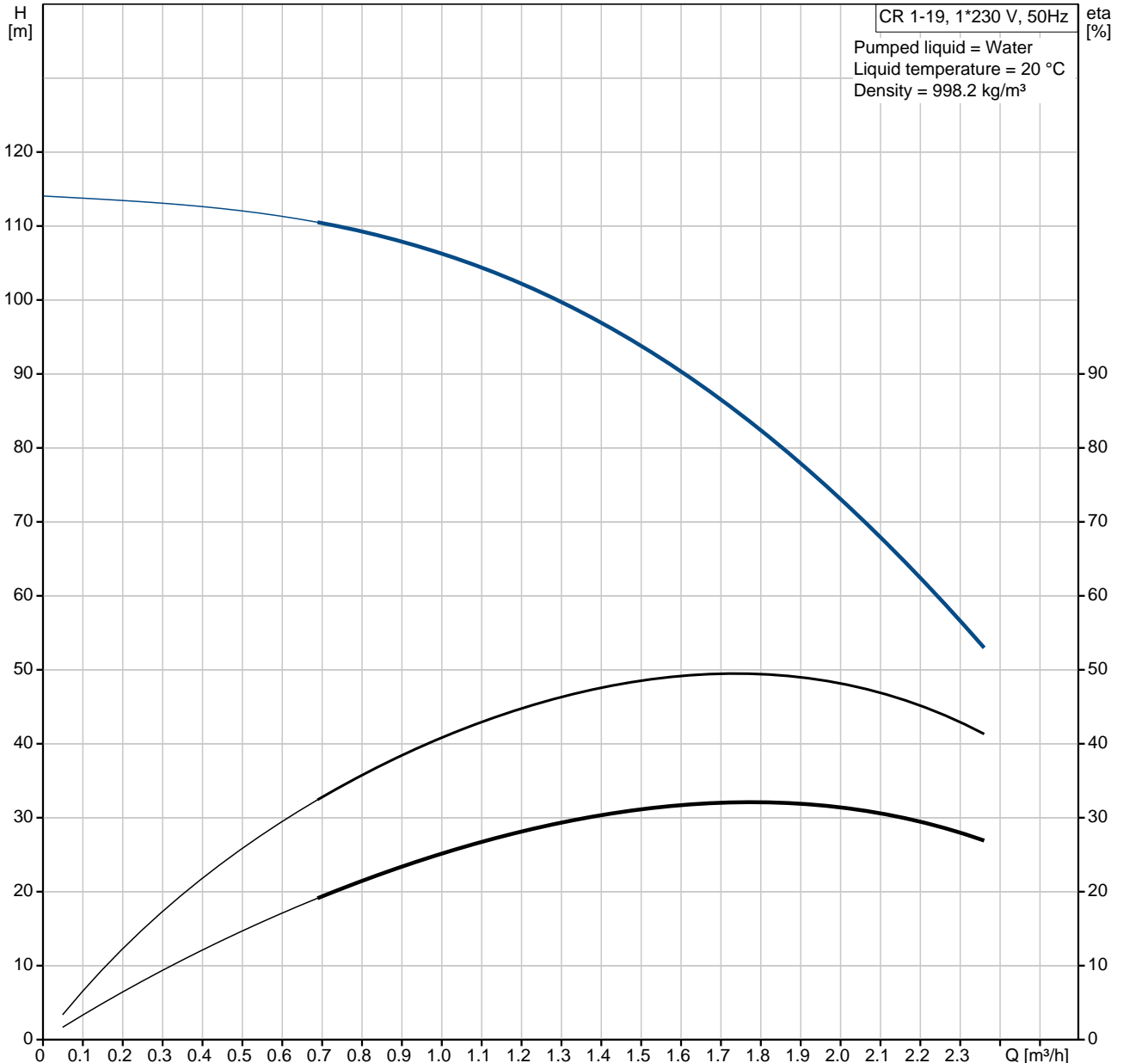


96530801 CR 1-19 50 Hz



Description	Value
Product name:	CR 1-19 A-A-A-E-HQQE
Product No:	96530801
EAN number:	5700397233764
Price:	On request

Technical:

Speed for pump data:	2789 rpm
Rated flow:	1.8 m³/h
Rated head:	85 m
Head max:	116 m
Impellers:	19
Shaft seal:	HQQE
Approvals on nameplate:	CE, TR
Curve tolerance:	ISO 9906:1999 Annex A
Pump type:	CR 1
Stages:	19
Pump version:	A
Model:	A

Materials:

Pump housing:	Cast iron EN-JL1030 ASTM A48-30 B
Impeller:	Stainless steel DIN W.-Nr. 1.4301 AISI 304
Material code:	A
Code for rubber:	E

Installation:

Maximum ambient temperature:	40 °C
Max pressure at stated temp:	16 bar / 120 °C 16 bar / -20 °C
Flange standard:	OVAL
Connect code:	A
Pipe connection:	Rp 1
Flange size for motor:	FT115

Liquid:

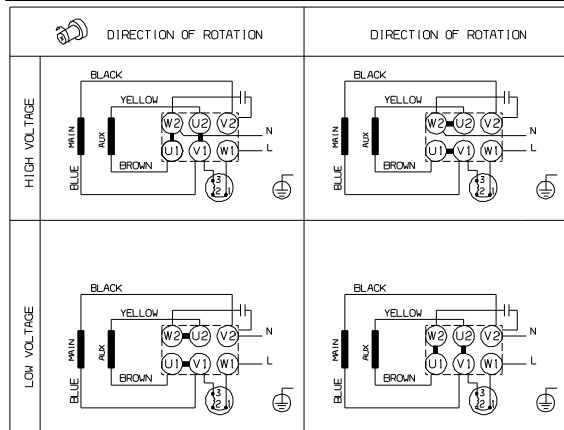
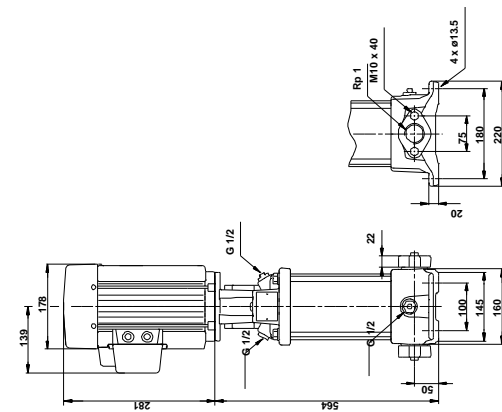
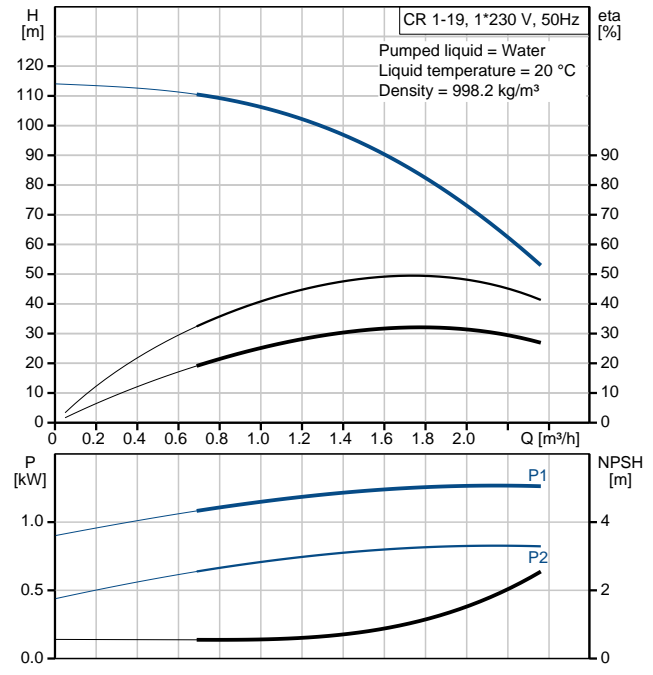
Pumped liquid:	Water
Liquid temperature range:	-20 .. 120 °C
Liquid temp:	20 °C
Density:	998.2 kg/m³
Kinematic viscosity:	1 mm²/s

Electrical data:

Motor type:	90SB
IE Efficiency class:	NA
Number of poles:	2
Rated power - P2:	1.1 kW
Power (P2) required by pump:	1.1 kW
Mains frequency:	50 Hz
Rated voltage:	1 x 220-230/240 V
Rated current:	7,40/6,70 A
Starting current:	390 %
Cos phi - power factor:	0,98/0,99
Rated speed:	2770 rpm
Motor efficiency at full load:	73-71 %
Enclosure class (IEC 34-5):	55 (Protect. water jets/dust)
Insulation class (IEC 85):	F
Motor protec:	PTO
Motor No:	85215705

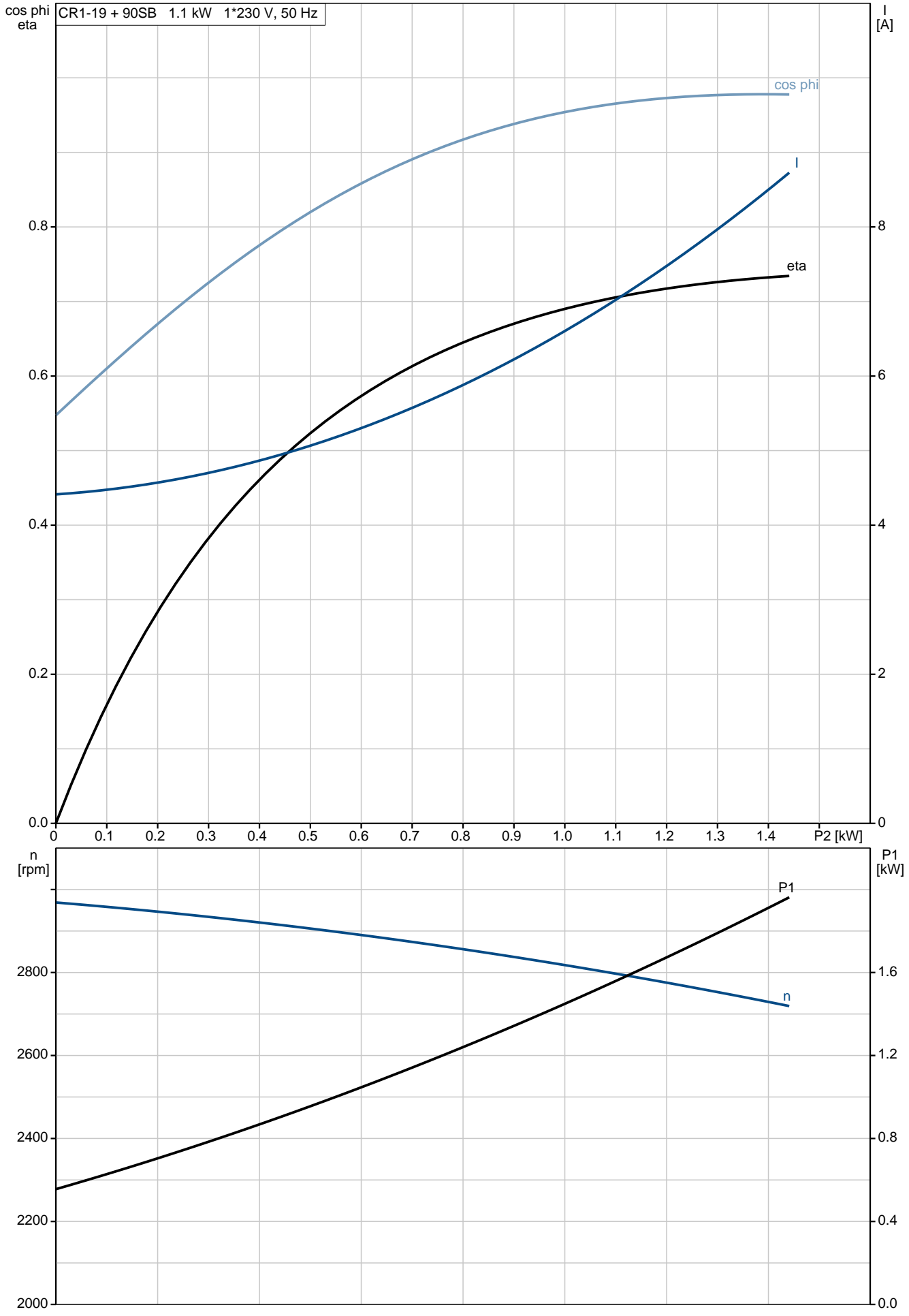
Others:

Minimum efficiency index, MEI :	0.7
Net weight:	37.6 kg
Gross weight:	41.7 kg
Shipping volume:	0.08 m3

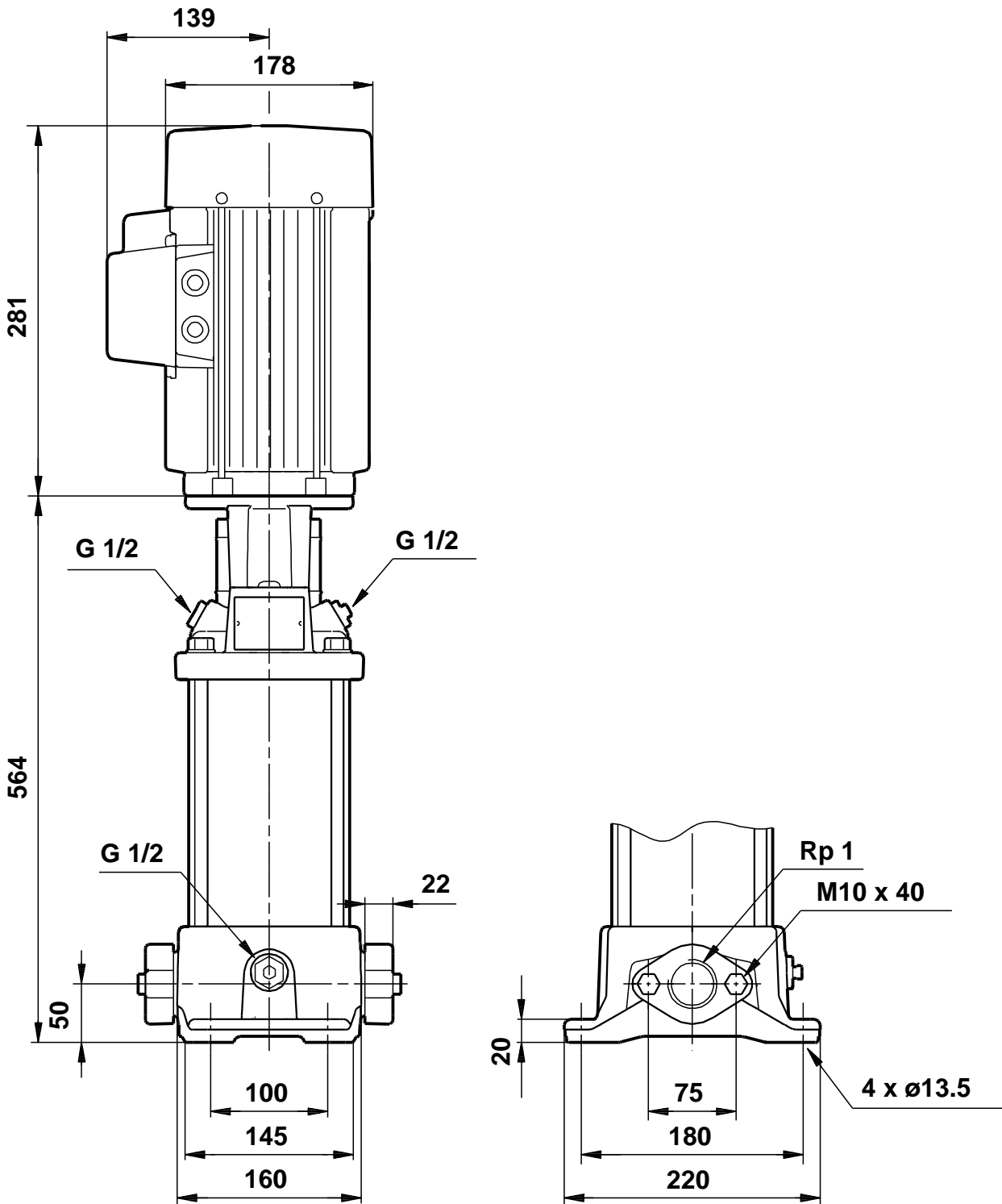


96530801 CR 1-19 50 Hz

CR1-19 + 90SB 1.1 kW 1*230 V, 50 Hz



96530801 CR 1-19 50 Hz



Note! All units are in [mm] unless others are stated.
Disclaimer: This simplified dimensional drawing does not show all details.