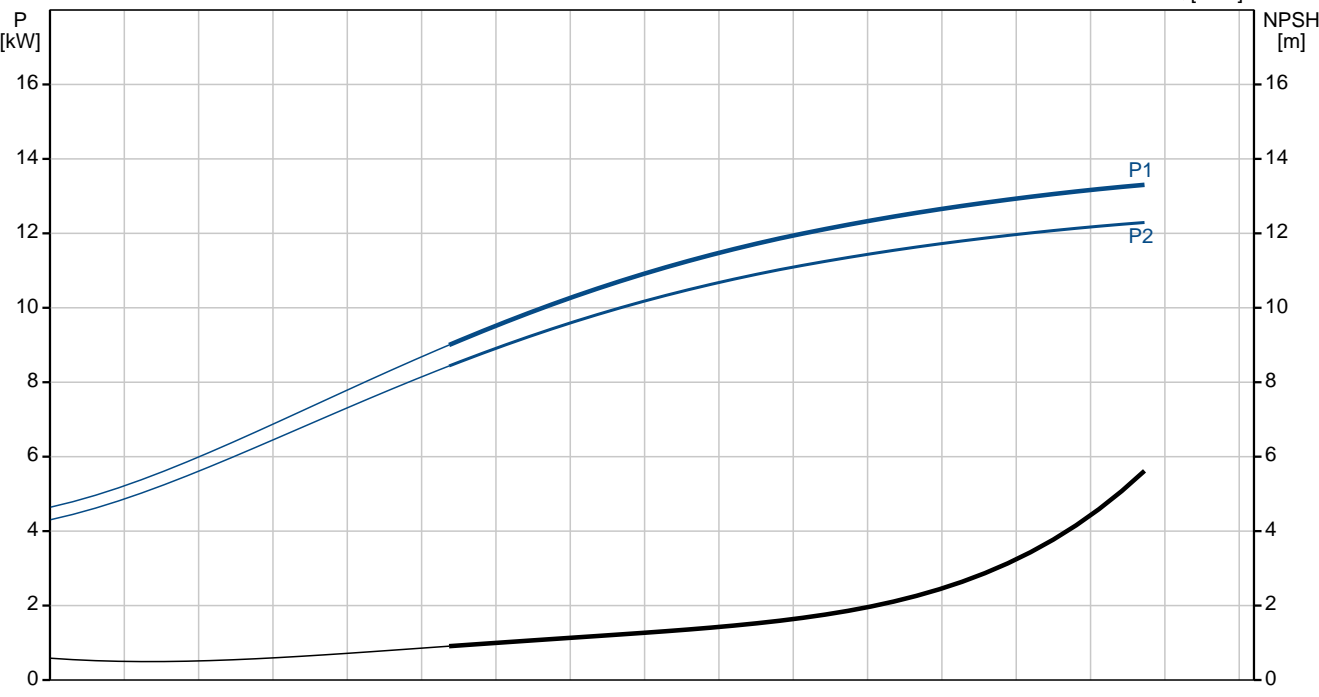
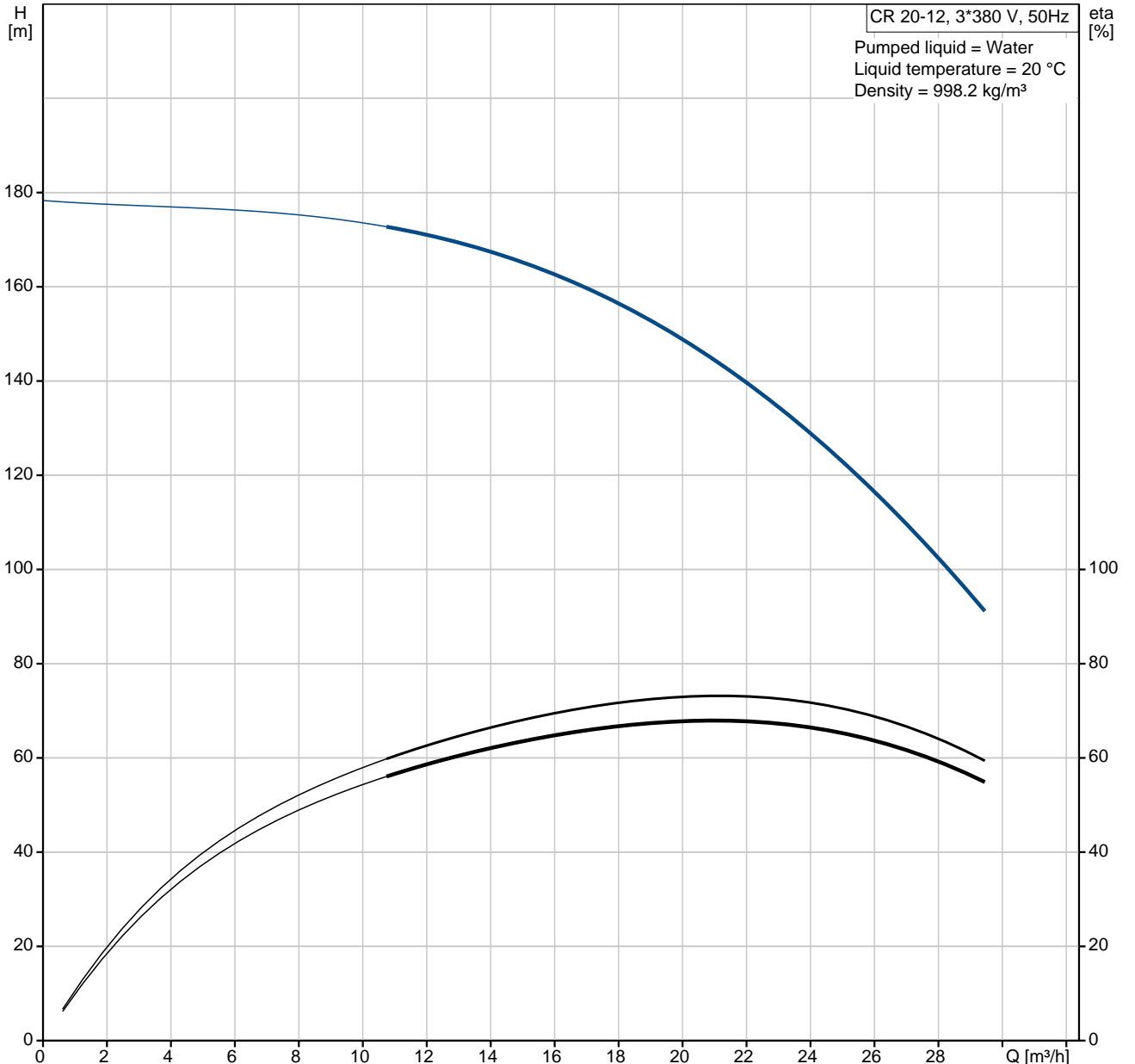
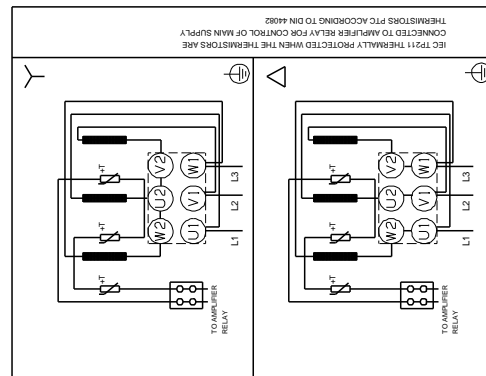
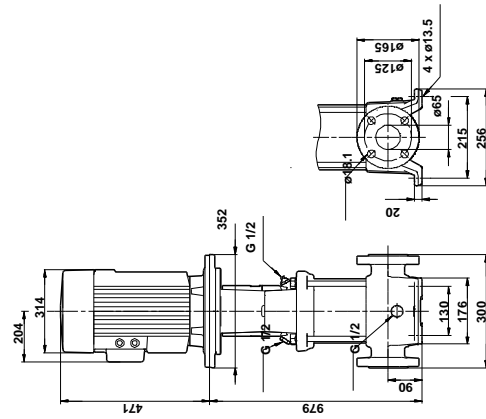
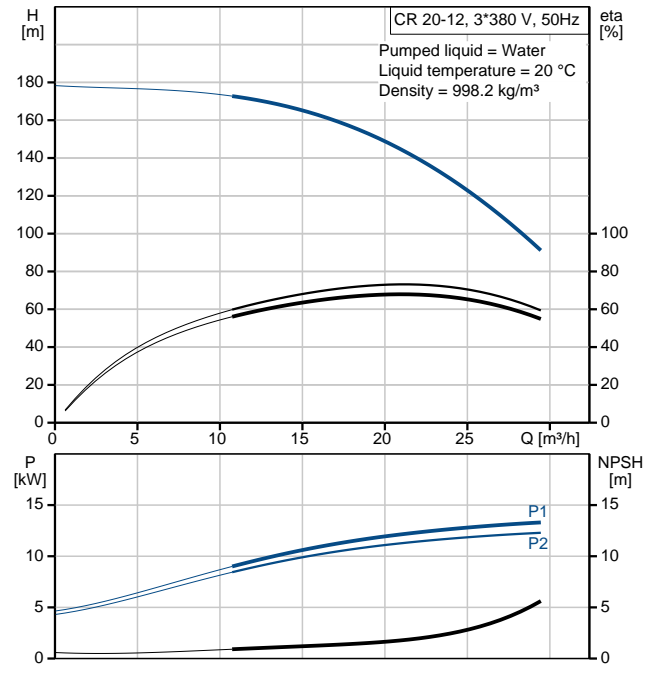


# 96500335 CR 20-12 50 Hz



Description	Value
Product name:	CR 20-12 A-F-A-E-HQQE
Product No:	96500335
EAN number:	5700396199665
Price:	On request
<b>Technical:</b>	
Speed for pump data:	2923 rpm
Rated flow:	21 m <sup>3</sup> /h
Rated head:	143 m
Head max:	178 m
Impellers:	12
Shaft seal:	HQQE
Approvals on nameplate:	CE, TR
Curve tolerance:	ISO 9906:1999 Annex A
Pump type:	CR 20
Stages:	12
Pump version:	A
Model:	A
<b>Materials:</b>	
Pump housing:	Cast iron EN-JL1030 ASTM A48-30 B
Impeller:	Stainless steel DIN W.-Nr. 1.4301 AISI 304
Material code:	A
Code for rubber:	E
<b>Installation:</b>	
Maximum ambient temperature:	60 °C
Max pressure at stated temp:	25 bar / 120 °C 25 bar / -20 °C
Flange standard:	DIN
Connect code:	F
Pipe connection:	DN 50
Pressure stage:	PN 25
Flange size for motor:	FF300
<b>Liquid:</b>	
Pumped liquid:	Water
Liquid temperature range:	-20 .. 120 °C
Liquid temp:	20 °C
Density:	998.2 kg/m <sup>3</sup>
Kinematic viscosity:	1 mm <sup>2</sup> /s
<b>Electrical data:</b>	
Motor type:	160MD
IE Efficiency class:	IE3
Number of poles:	2
Rated power - P2:	15 kW
Power (P2) required by pump:	15 kW
Mains frequency:	50 Hz
Rated voltage:	3 x 220-240 D/380-415 Y V
Rated current:	48,5-45,0/28,0-26,0 A
Starting current:	660-780 %
Cos phi - power factor:	0,89-0,87
Rated speed:	2930-2950 rpm
Efficiency:	IE3 91,9%
Motor efficiency at full load:	91,9-91,9 %
Motor efficiency at 3/4 load:	92,4-92,7 %
Motor efficiency at 1/2 load:	92,4-92,3 %
Enclosure class (IEC 34-5):	55 (Protect. water jets/dust)
Insulation class (IEC 85):	F
Motor protec:	PTC
Motor No:	85U07526
<b>Others:</b>	
Label:	Grundfos Blueflux
Minimum efficiency index, MEI :	0.7
Net weight:	165 kg
Gross weight:	193 kg



Description	Value
Shipping volume:	0.56 m3

# 96500335 CR 20-12 50 Hz

CR20-12 + 160MD 15 kW 3\*380 V, 50 Hz

