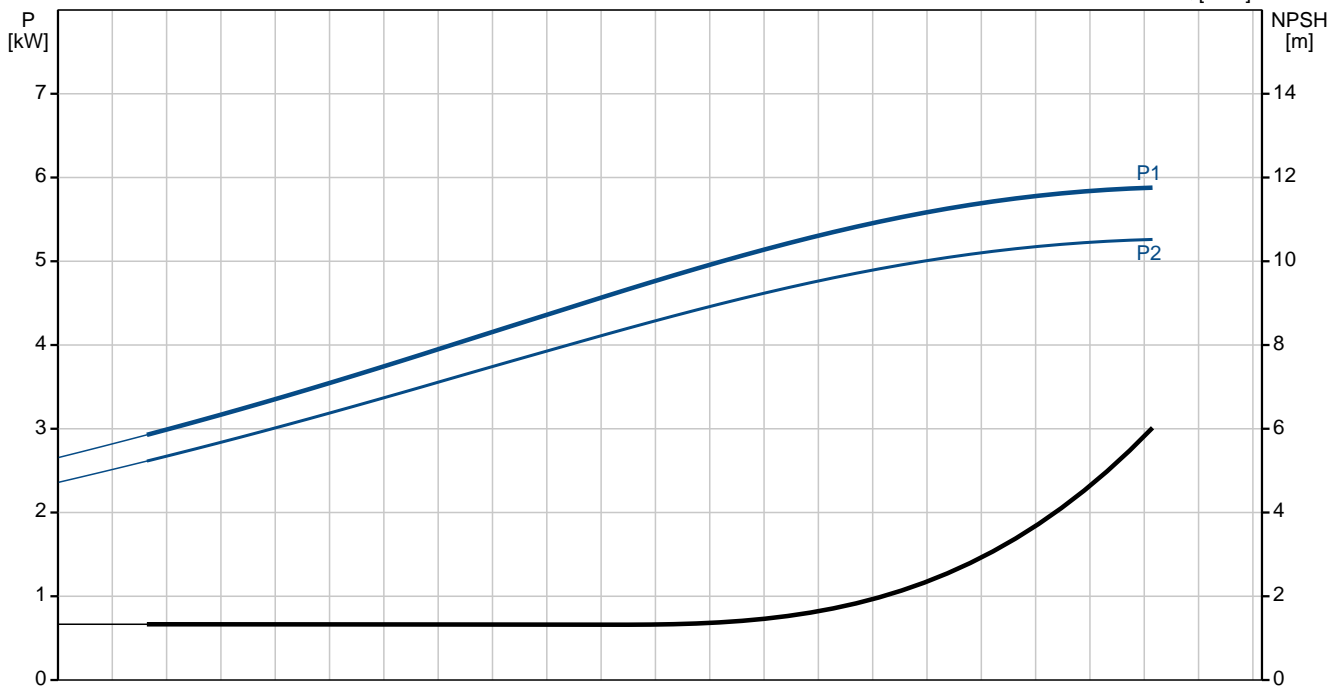
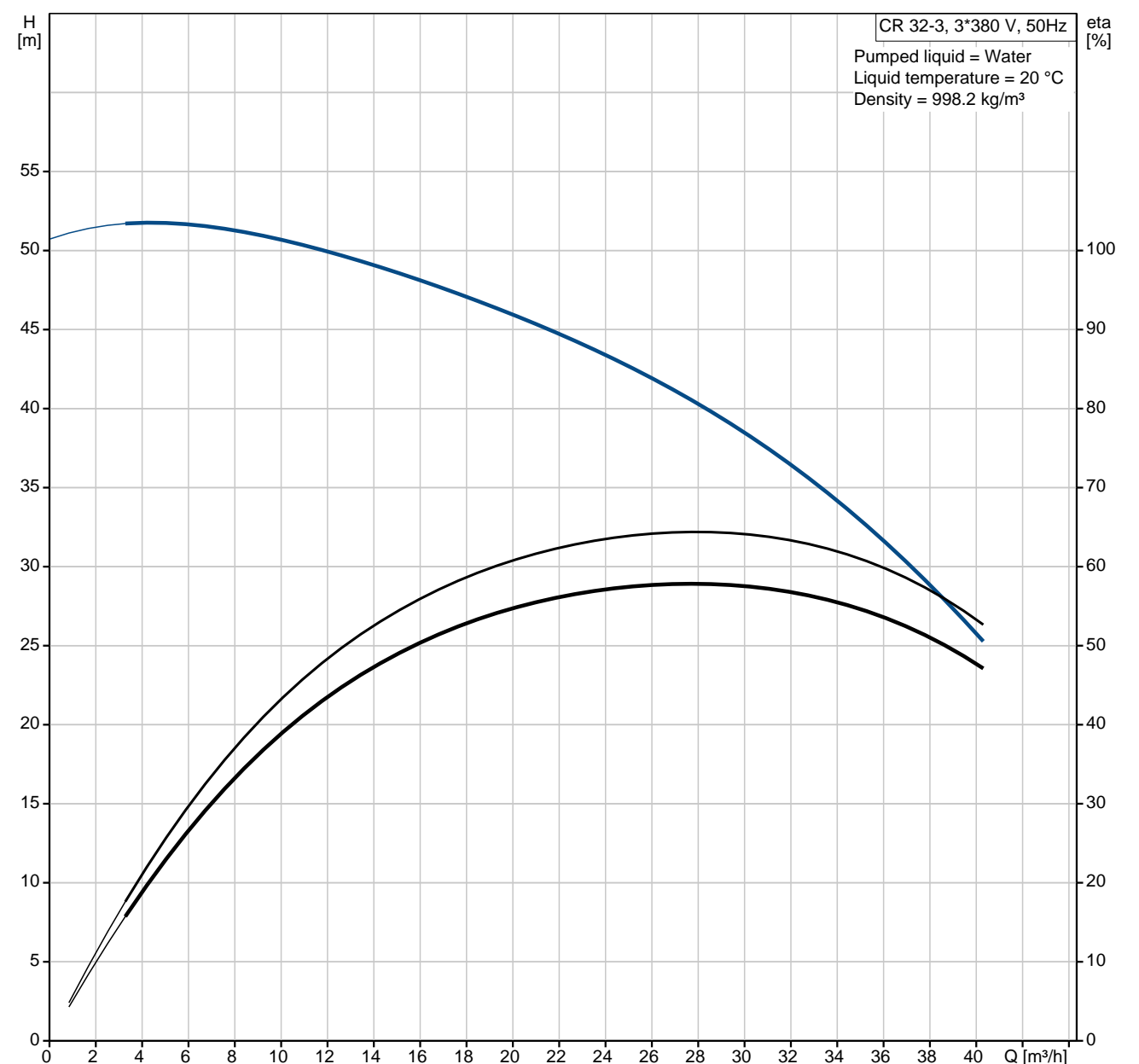
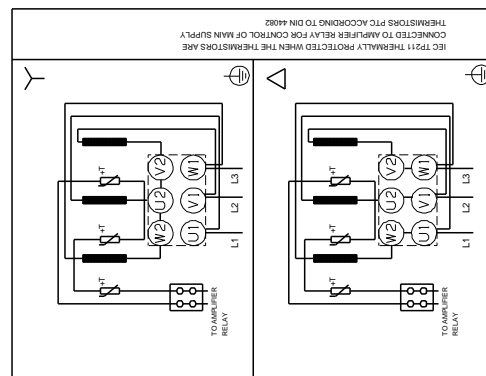
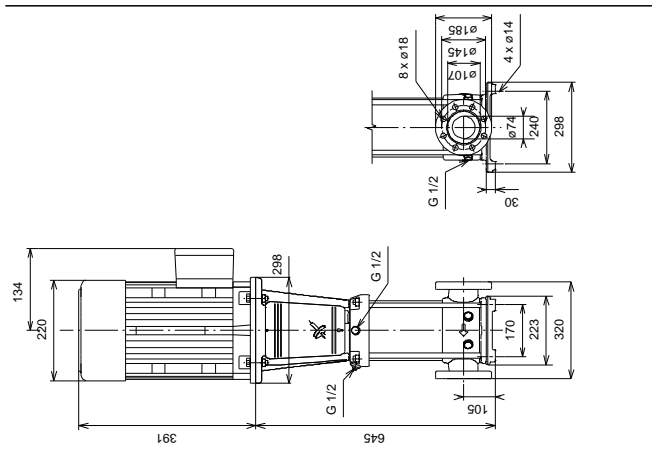
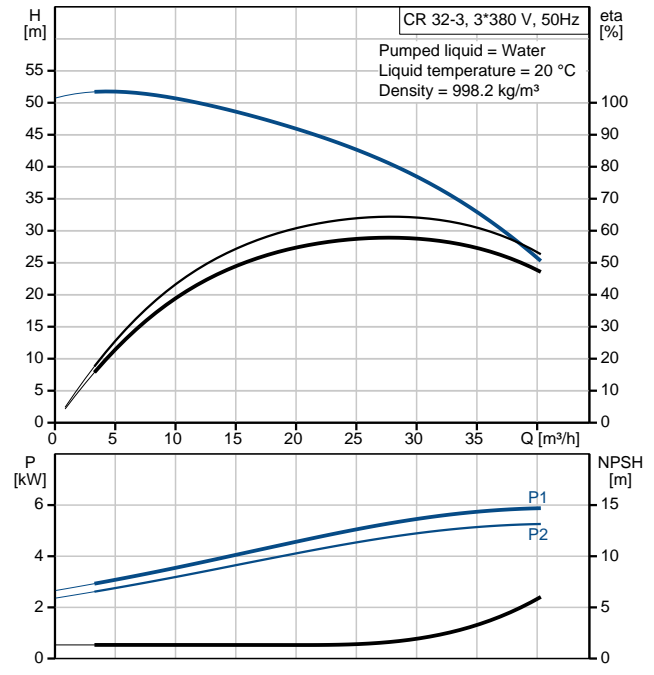


96121955 CR 32-3 50 Hz



Description	Value
Product name:	CR 32-3 A-F-A-E-HQQE
Product No:	96121955
EAN number:	5700396679297
Price:	On request
Technical:	
Speed for pump data:	2919 rpm
Rated flow:	30 m ³ /h
Rated head:	44.1 m
Head max:	58.5 m
Impellers:	3
Shaft seal:	HQQE
Approvals on nameplate:	CE, TR
Curve tolerance:	ISO 9906:1999 Annex A
Pump type:	CR 32
Stages:	3
Pump version:	A
Model:	A
Materials:	
Pump housing:	Cast iron EN-JS1050 ASTM 80-55-06
Impeller:	Stainless steel DIN W.-Nr. 1.4301 AISI 304
Material code:	A
Code for rubber:	E
Installation:	
Maximum ambient temperature:	60 °C
Max pressure at stated temp:	16 bar / 120 °C 16 bar / -30 °C
Flange standard:	DIN
Connect code:	F
Pipe connection:	DN 65
Pressure stage:	PN 16 / PN 25 / PN 40
Flange size for motor:	FF265
Liquid:	
Pumped liquid:	Water
Liquid temperature range:	-30 .. 120 °C
Liquid temp:	20 °C
Density:	998.2 kg/m ³
Kinematic viscosity:	1 mm ² /s
Electrical data:	
Motor type:	132SC
IE Efficiency class:	IE3
Number of poles:	2
Rated power - P2:	5.5 kW
Power (P2) required by pump:	5.5 kW
Mains frequency:	50 Hz
Rated voltage:	3 x 220-240 D/380-415 Y V
Rated current:	19,0/11,0 A
Starting current:	1080-1180 %
Cos phi - power factor:	0,87-0,82
Rated speed:	2920-2940 rpm
Efficiency:	IE3 89,2%
Motor efficiency at full load:	89,2-89,2 %
Motor efficiency at 3/4 load:	90,0-89,8 %
Motor efficiency at 1/2 load:	89,6-88,4 %
Enclosure class (IEC 34-5):	55 (Protect. water jets/dust)
Insulation class (IEC 85):	F
Motor protec:	PTC
Motor No:	85U07417
Others:	
Label:	Grundfos Blueflux
Minimum efficiency index, MEI :	0.7
Net weight:	97 kg
Gross weight:	120 kg
Shipping volume:	0.3 m ³

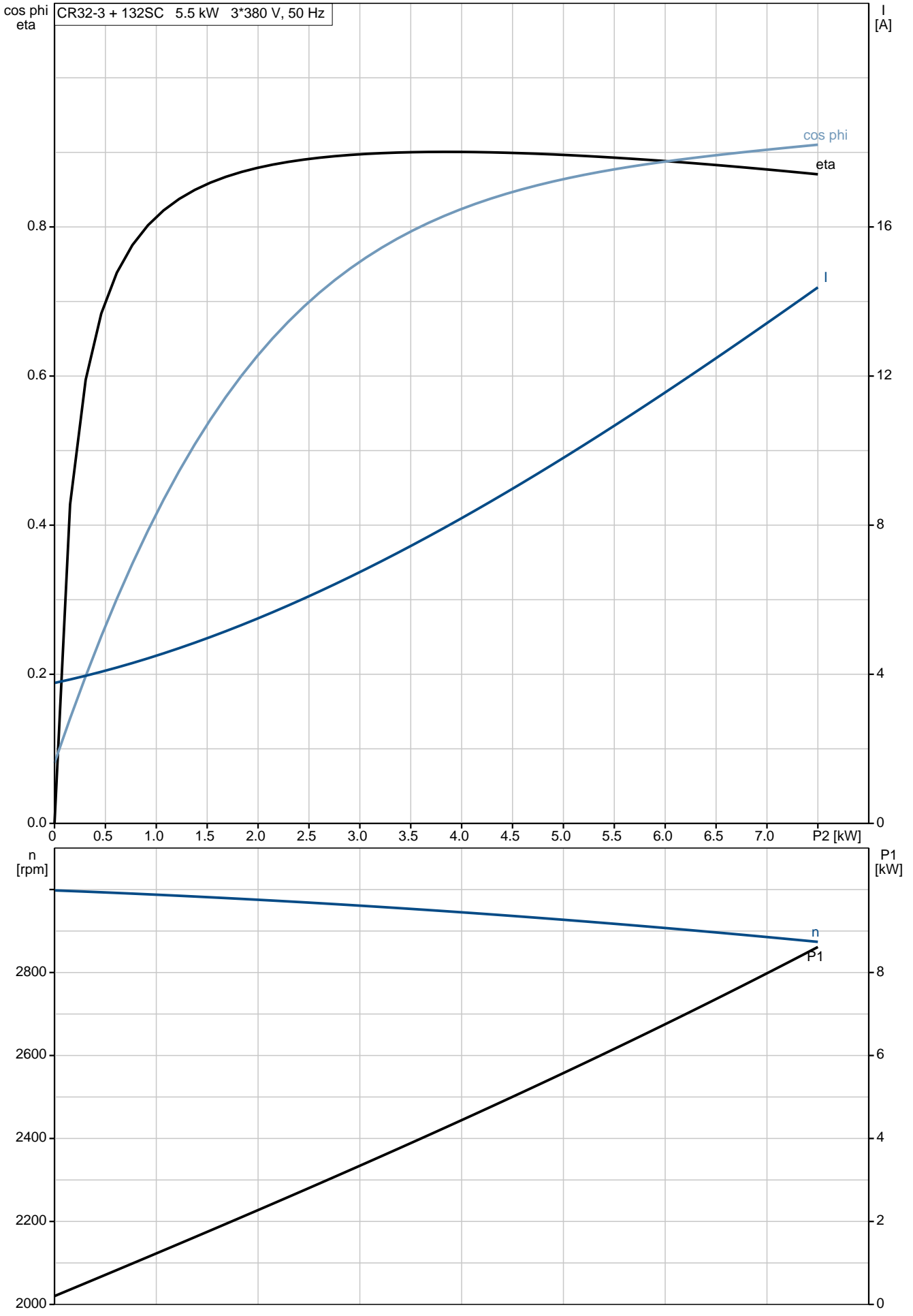


Description

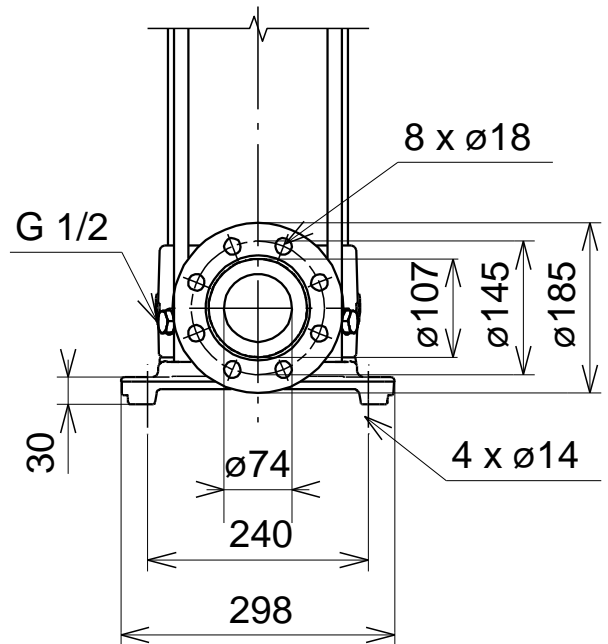
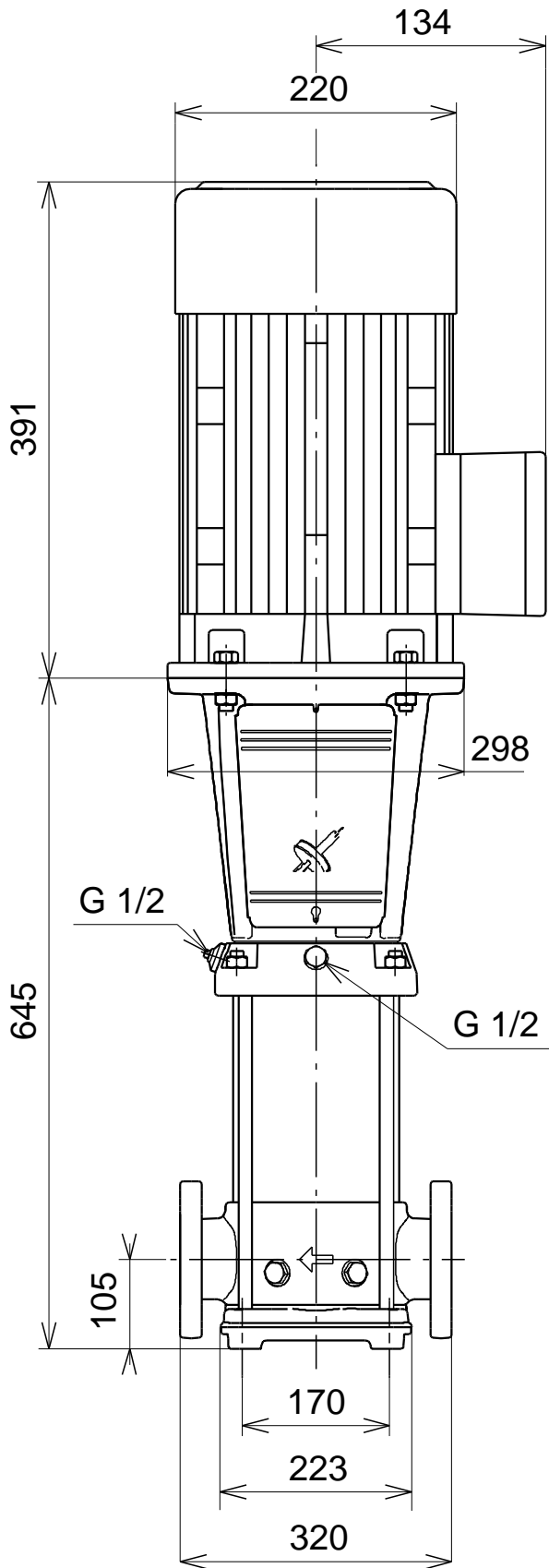
Value

96121955 CR 32-3 50 Hz

CR32-3 + 132SC 5.5 kW 3*380 V, 50 Hz



96121955 CR 32-3 50 Hz



Note! All units are in [mm] unless others are stated.
Disclaimer: This simplified dimensional drawing does not show all details.