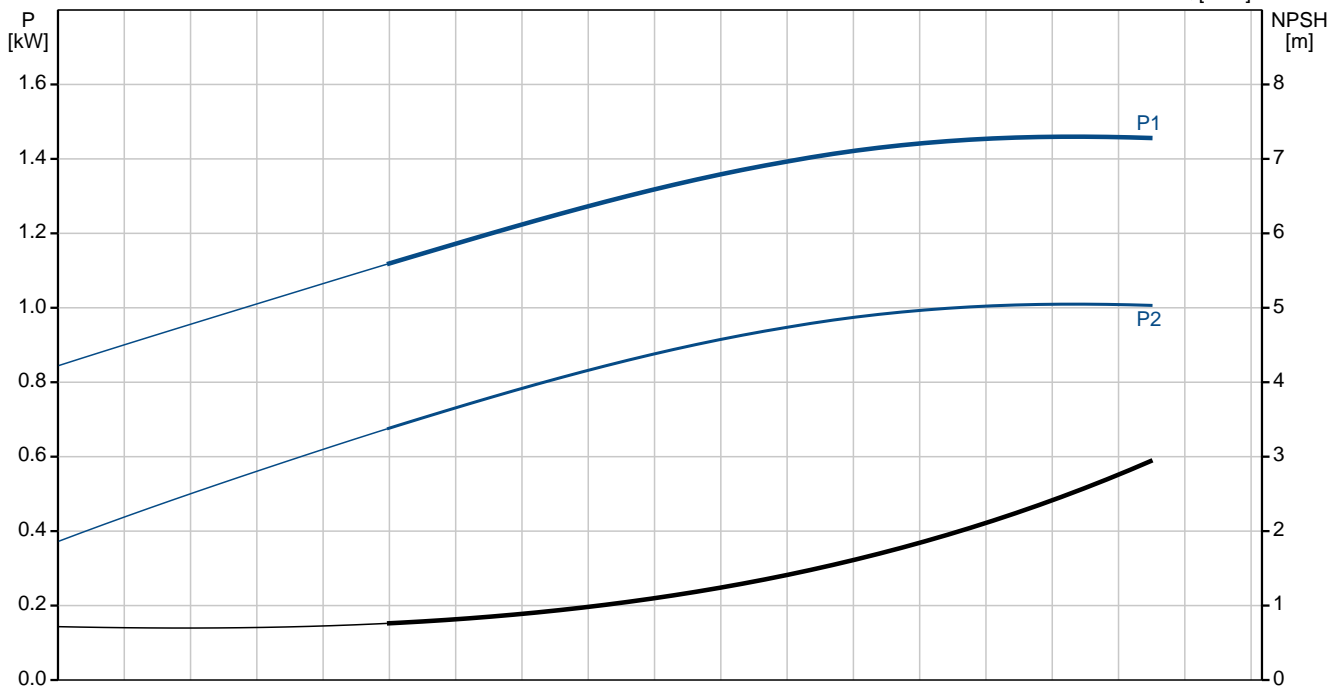
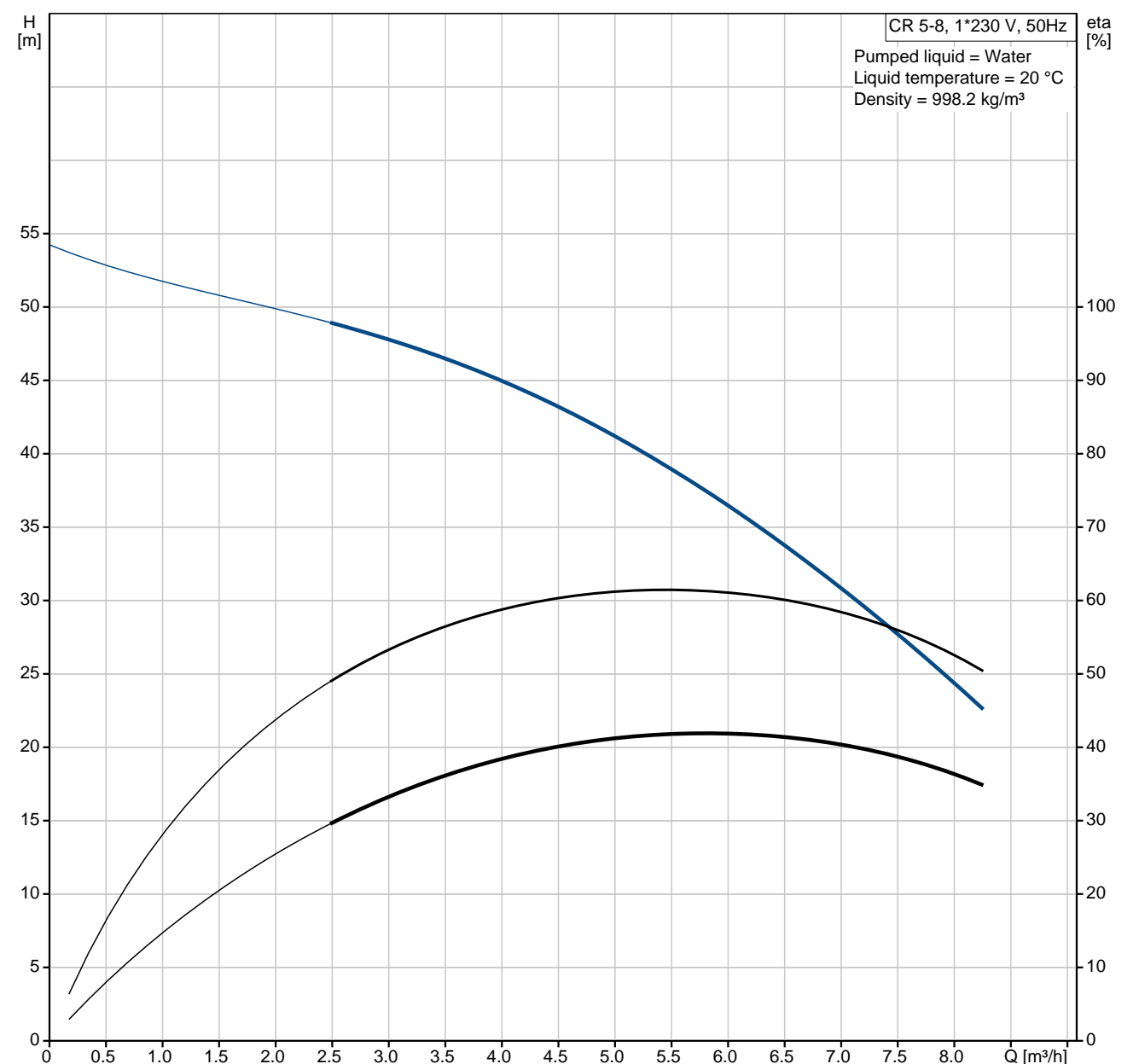
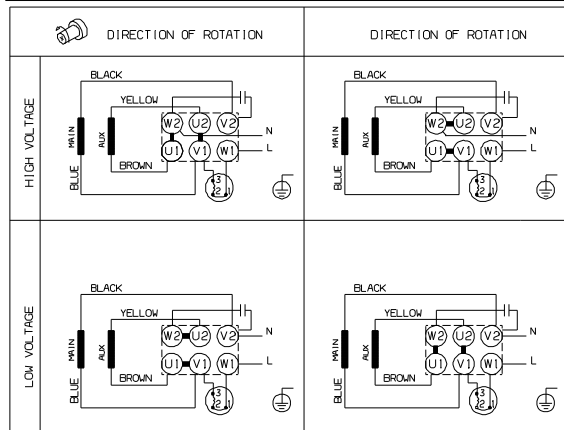
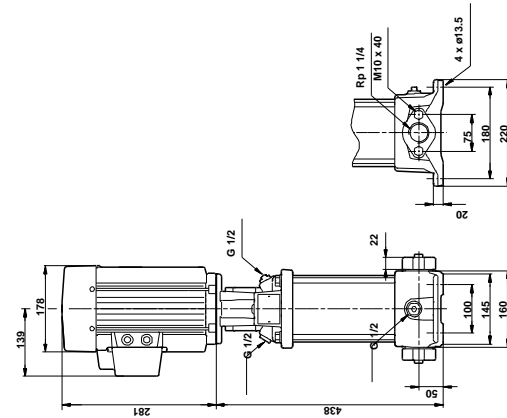
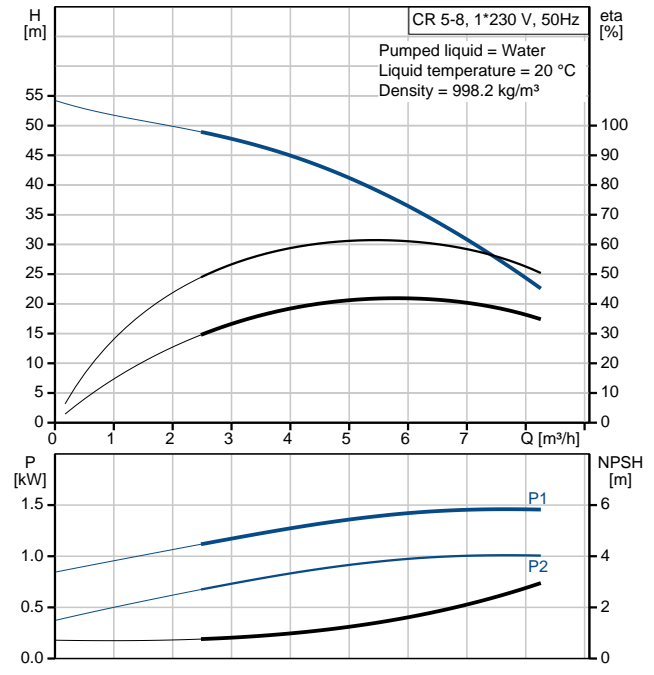


# 96529457 CR 5-8 50 Hz

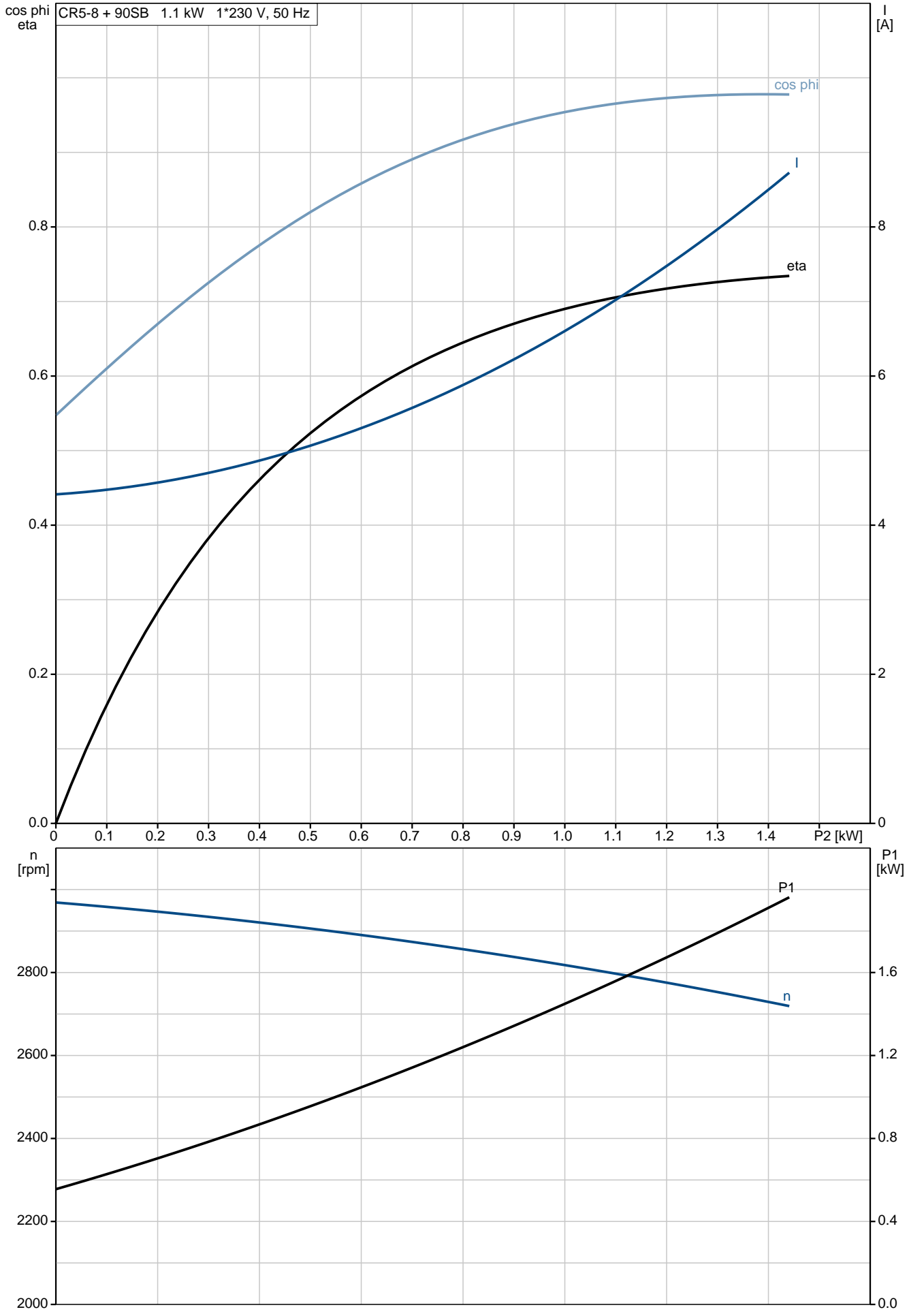


Description	Value
Product name:	CR 5-8 A-A-A-E-HQQE
Product No:	96529457
EAN number:	5700397166161
Price:	On request
<b>Technical:</b>	
Speed for pump data:	2789 rpm
Rated flow:	5.8 m³/h
Rated head:	37.8 m
Head max:	54 m
Impellers:	8
Shaft seal:	HQQE
Approvals on nameplate:	CE, TR
Curve tolerance:	ISO 9906:1999 Annex A
Pump type:	CR 5
Stages:	8
Pump version:	A
Model:	A
<b>Materials:</b>	
Pump housing:	Cast iron EN-JL1030 ASTM A48-30 B
Impeller:	Stainless steel DIN W.-Nr. 1.4301 AISI 304
Material code:	A
Code for rubber:	E
<b>Installation:</b>	
Maximum ambient temperature:	40 °C
Max pressure at stated temp:	16 bar / 120 °C 16 bar / -20 °C
Flange standard:	OVAL
Connect code:	A
Pipe connection:	Rp 1 1/4
Flange size for motor:	FT115
<b>Liquid:</b>	
Pumped liquid:	Water
Liquid temperature range:	-20 .. 120 °C
Liquid temp:	20 °C
Density:	998.2 kg/m³
Kinematic viscosity:	1 mm²/s
<b>Electrical data:</b>	
Motor type:	90SB
IE Efficiency class:	NA
Number of poles:	2
Rated power - P2:	1.1 kW
Power (P2) required by pump:	1.1 kW
Mains frequency:	50 Hz
Rated voltage:	1 x 220-230/240 V
Rated current:	7,40/6,70 A
Starting current:	390 %
Cos phi - power factor:	0,98/0,99
Rated speed:	2770 rpm
Motor efficiency at full load:	73-71 %
Enclosure class (IEC 34-5):	55 (Protect. water jets/dust)
Insulation class (IEC 85):	F
Motor protec:	PTO
Motor No:	85215705
<b>Others:</b>	
Minimum efficiency index, MEI :	0.57
Net weight:	34.4 kg
Gross weight:	37.2 kg
Shipping volume:	0.08 m3

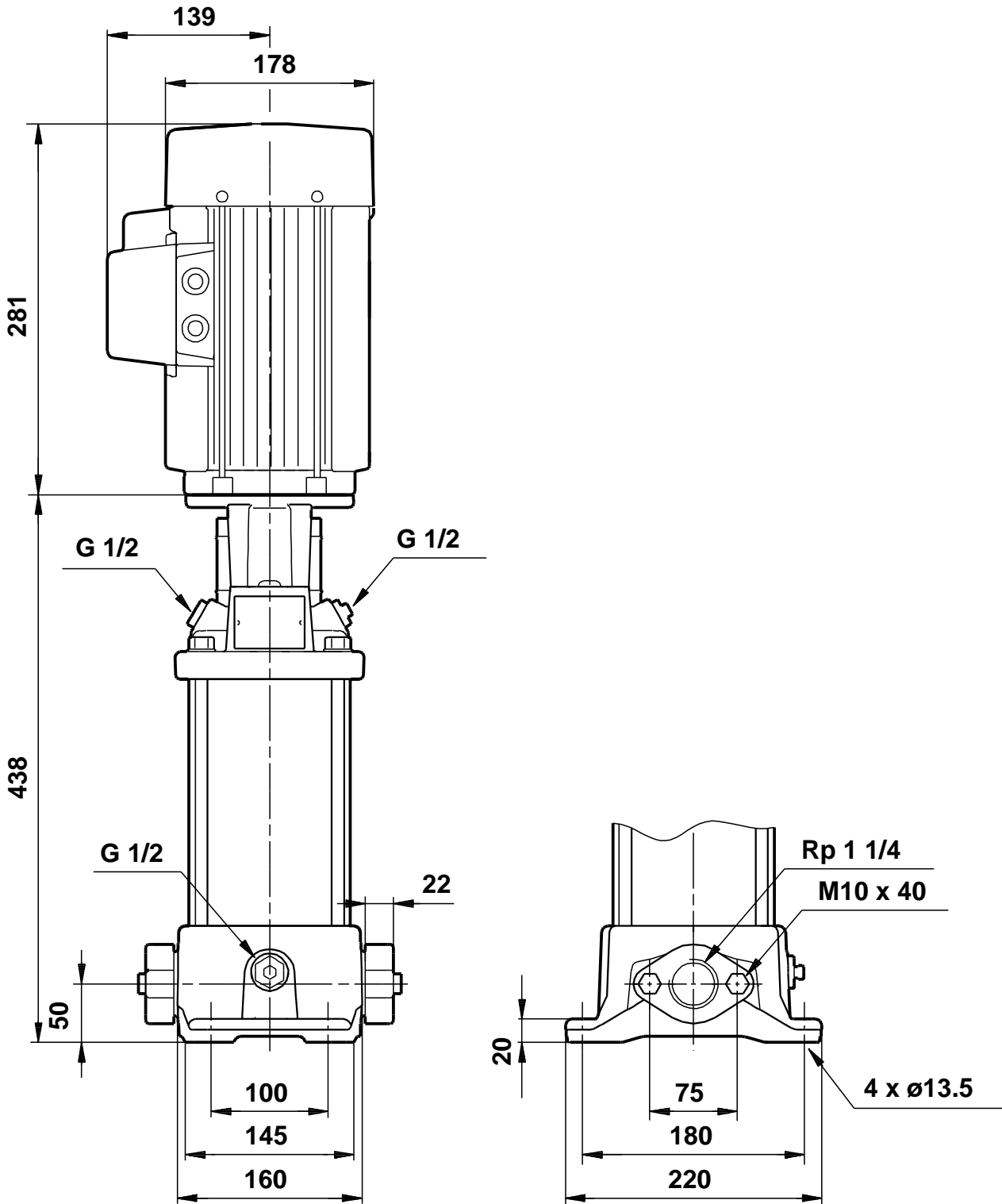


# 96529457 CR 5-8 50 Hz

CR5-8 + 90SB 1.1 kW 1\*230 V, 50 Hz



96529457 CR 5-8 50 Hz



Note! All units are in [mm] unless others are stated.  
Disclaimer: This simplified dimensional drawing does not show all details.