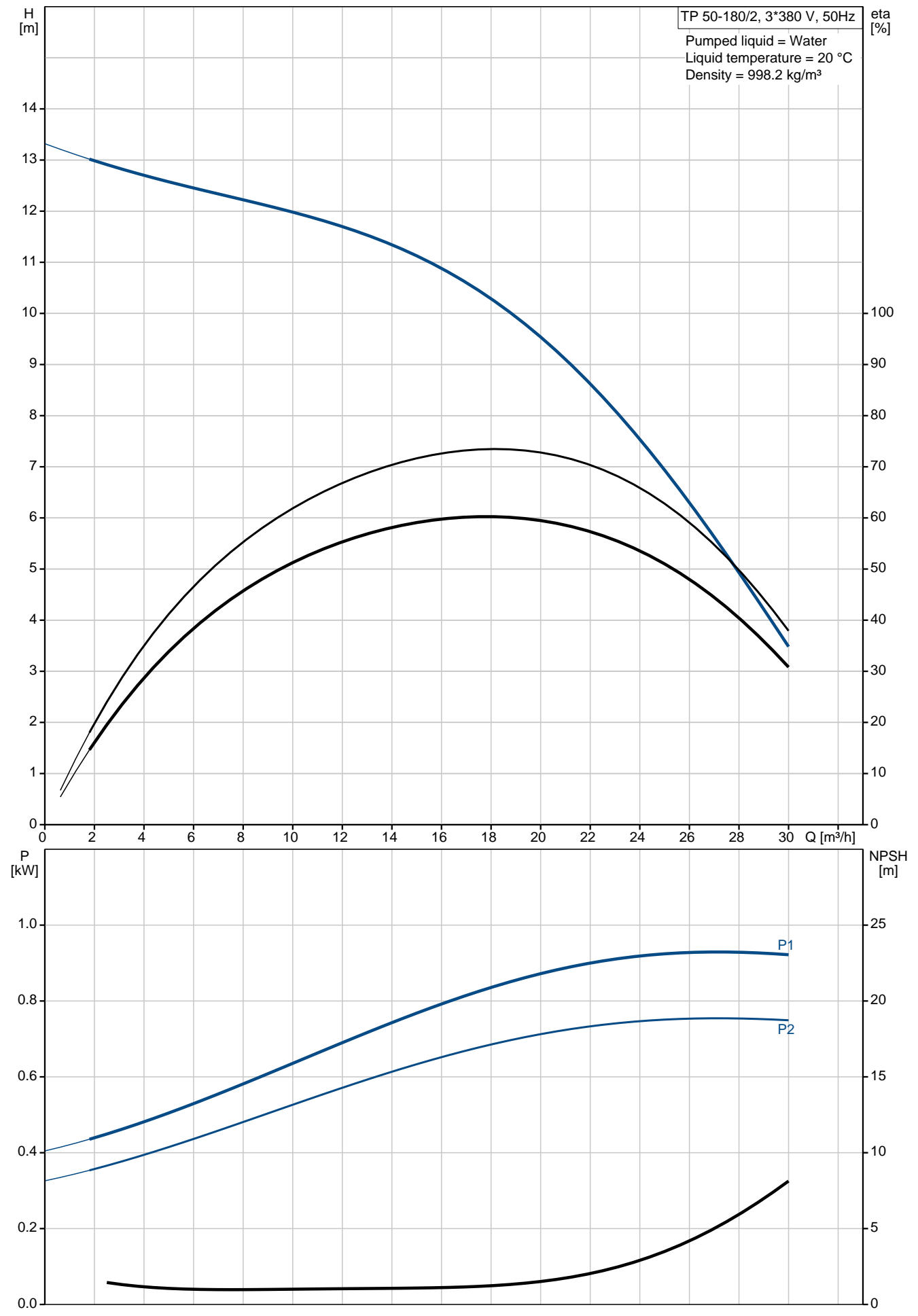
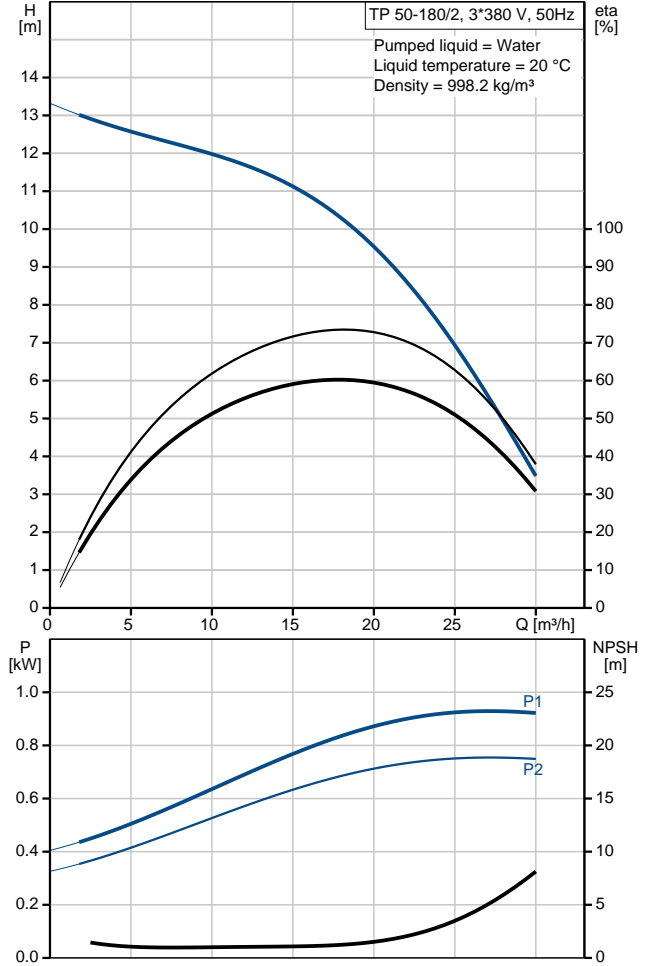


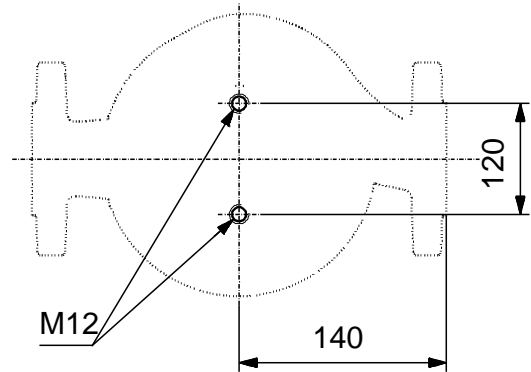
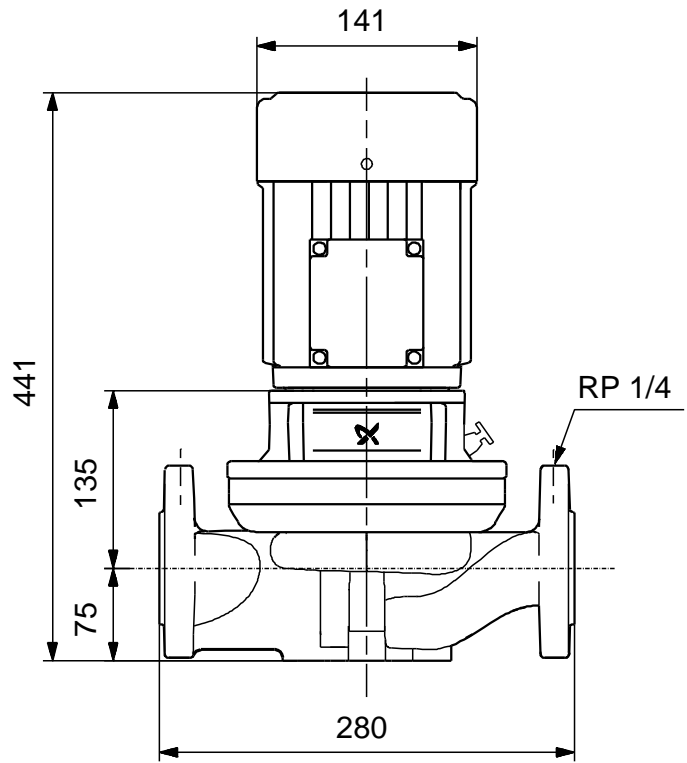
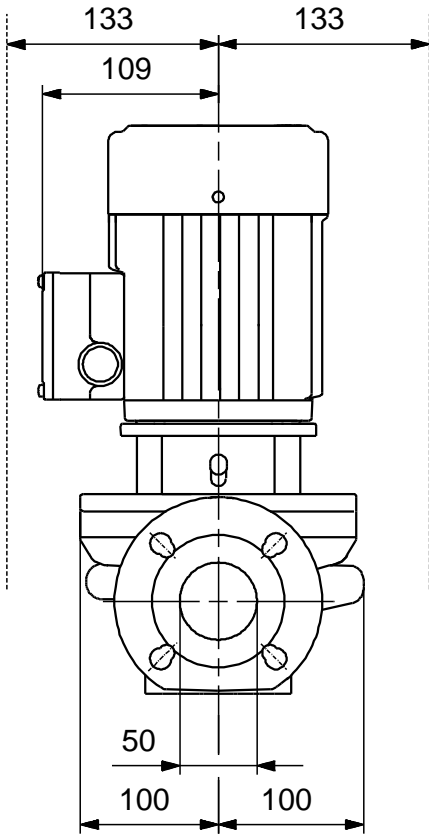
# 96402148 TP 50-180/2 50 Hz



Description	Value
Product name:	TP 50-180/2 A-F-A-BUBE
Product No:	96402148
Price:	On request
<b>Technical:</b>	
Speed for pump data:	2850 rpm
Rated flow:	18.3 m <sup>3</sup> /h
Rated head:	10.2 m
Head max:	180 dm
Actual impeller diameter:	100 mm
Shaft seal:	BUBE
Curve tolerance:	ISO 9906:1999 Annex A
Pump version:	A
Model:	A
<b>Materials:</b>	
Pump housing:	Cast iron EN-JL1040
Impeller:	ASTM A48-40 B Stainless steel DIN W.-Nr. 1.4301 AISI 304
Material code:	A
<b>Installation:</b>	
Maximum ambient temperature:	60 °C
Maximum operating pressure:	10 bar
Flange standard:	DIN
Connect code:	F
Pipe connection:	DN 50
Pressure stage:	PN 6/10
Port-to-port length:	280 mm
Flange size for motor:	FT100
<b>Liquid:</b>	
Pumped liquid:	Water
Liquid temperature range:	0 .. 140 °C
Liquid temp:	20 °C
Density:	998.2 kg/m <sup>3</sup>
<b>Electrical data:</b>	
Motor type:	80A
IE Efficiency class:	IE3
Number of poles:	2
Rated power - P2:	0.75 kW
Mains frequency:	50 Hz
Rated voltage:	3 x 220-240 D/380-415 Y V
Rated current:	3,30/1,90 A
Starting current:	580-620 %
Cos phi - power factor:	0,81-0,71
Rated speed:	2840-2870 rpm
Efficiency:	IE3 80,7%
Enclosure class (IEC 34-5):	55 (Protect. water jets/dust)
Insulation class (IEC 85):	F
Motor protec:	NONE
Motor No:	85U05104
<b>Others:</b>	
Label:	Grundfos Blueflux
Minimum efficiency index, MEI :	0.70
Net weight:	29.8 kg
Gross weight:	32.3 kg
Shipping volume:	0.06 m <sup>3</sup>



96402148 TP 50-180/2 50 Hz



Note! All units are in [mm] unless others are stated.  
Disclaimer: This simplified dimensional drawing does not show all details.