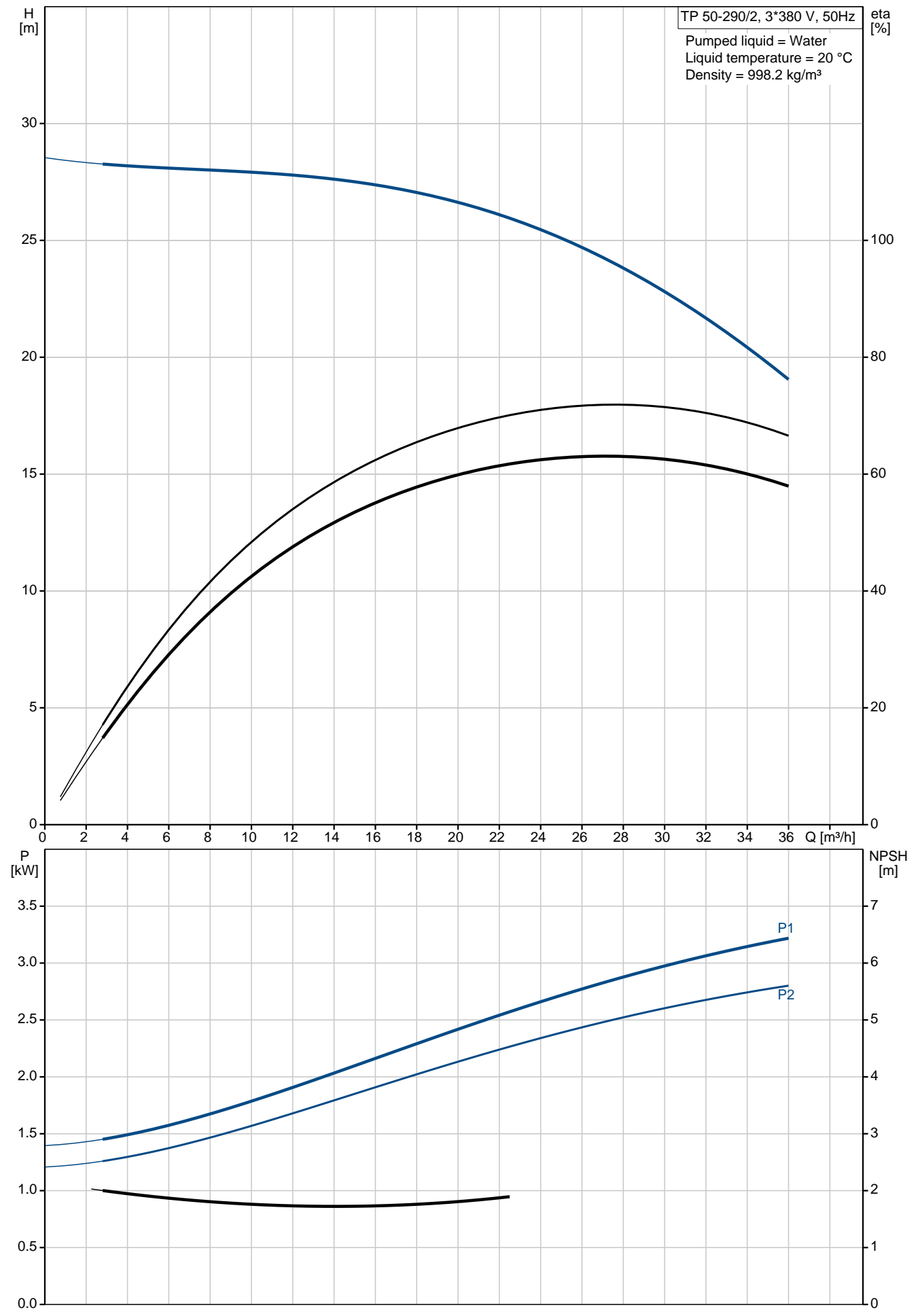
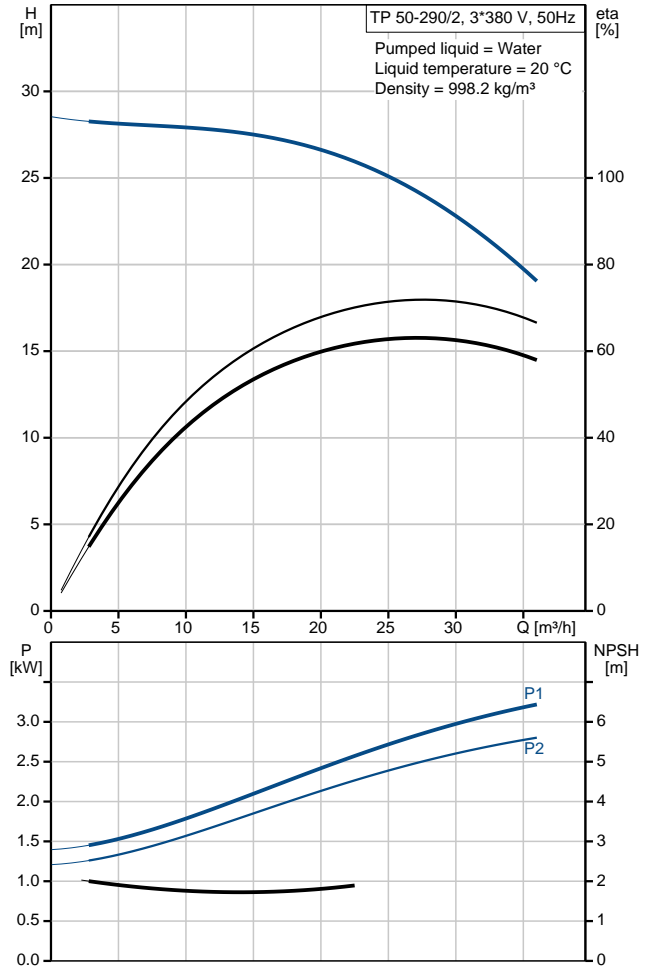


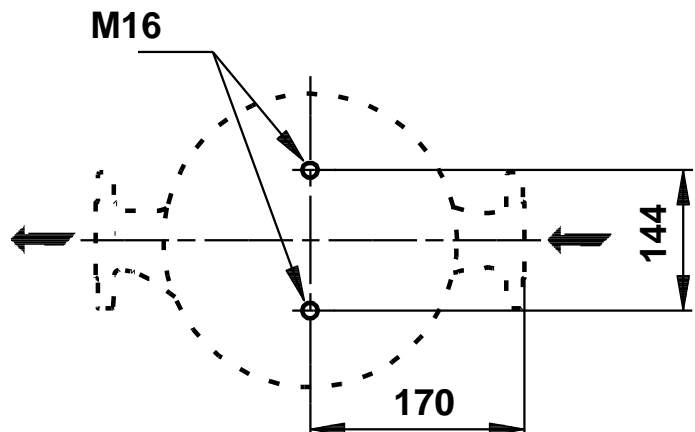
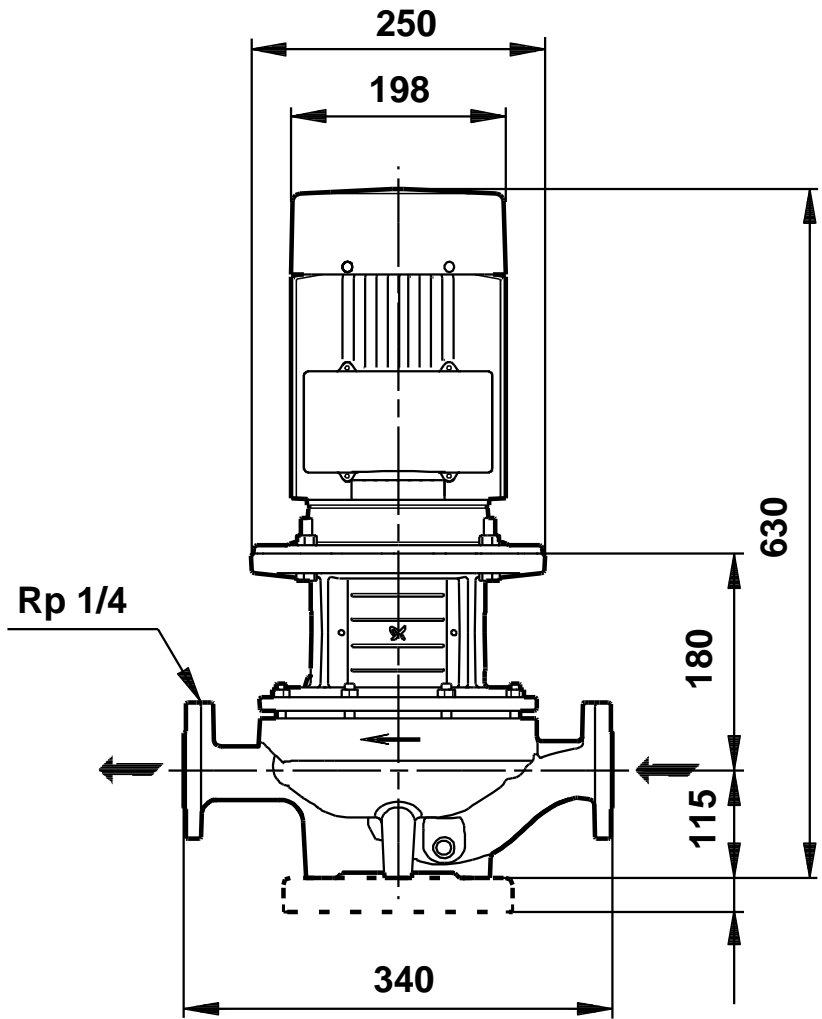
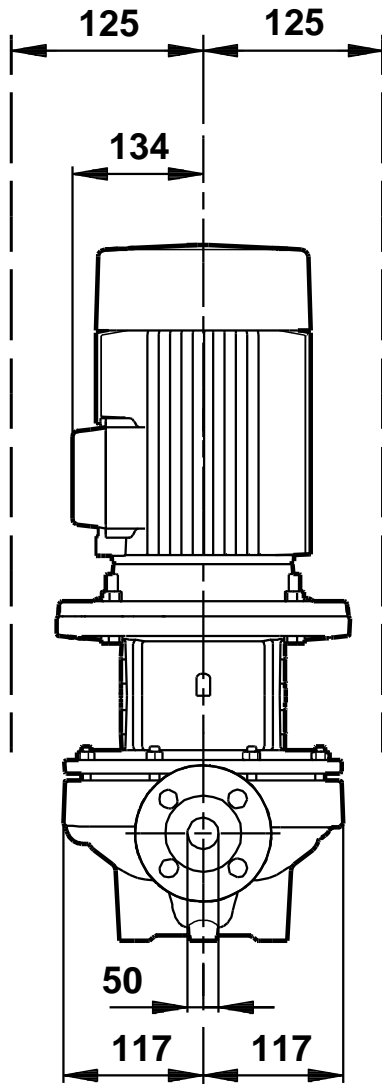
# 96087178 TP 50-290/2 50 Hz



Description	Value
Product name:	TP 50-290/2 A-F-A-BAQE
Product No:	96087178
EAN number:	5700395311440
Price:	On request
<b>Technical:</b>	
Speed for pump data:	2910 rpm
Rated flow:	27.4 m³/h
Rated head:	24.1 m
Head max:	290 dm
Actual impeller diameter:	142 mm
Shaft seal:	BAQE
Curve tolerance:	ISO 9906:1999 Annex A
Pump version:	A
Model:	A
<b>Materials:</b>	
Pump housing:	Cast iron EN-JL1040 ASTM A48-40 B
Impeller:	Cast iron EN-JL1030 ASTM A48-30 B
Material code:	A
<b>Installation:</b>	
Maximum ambient temperature:	60 °C
Maximum operating pressure:	16 bar
Flange standard:	DIN
Connect code:	F
Pipe connection:	DN 50
Pressure stage:	PN 16
Port-to-port length:	340 mm
Flange size for motor:	FF215
<b>Liquid:</b>	
Pumped liquid:	Water
Liquid temperature range:	0 .. 120 °C
Liquid temp:	20 °C
Density:	998.2 kg/m³
<b>Electrical data:</b>	
Motor type:	100LC
IE Efficiency class:	IE3
Number of poles:	2
Rated power - P2:	3 kW
Power (P2) required by pump:	3 kW
Mains frequency:	50 Hz
Rated voltage:	3 x 380-415 D V
Rated current:	6.3 A
Starting current:	840-920 %
Cos phi - power factor:	0,87-0,82
Rated speed:	2900-2920 rpm
Efficiency:	IE3 87,1%
Motor efficiency at full load:	87,1 %
Motor efficiency at 3/4 load:	88,0-87,0 %
Motor efficiency at 1/2 load:	87,7-85,4 %
Enclosure class (IEC 34-5):	55 (Protect. water jets/dust)
Insulation class (IEC 85):	F
Motor protec:	PTC
Motor No:	87272297
<b>Others:</b>	
Label:	Grundfos Blueflux
Minimum efficiency index, MEI :	0.70
Net weight:	61 kg
Gross weight:	69 kg
Shipping volume:	0.18 m3



96087178 TP 50-290/2 50 Hz



Note! All units are in [mm] unless others are stated.  
Disclaimer: This simplified dimensional drawing does not show all details.