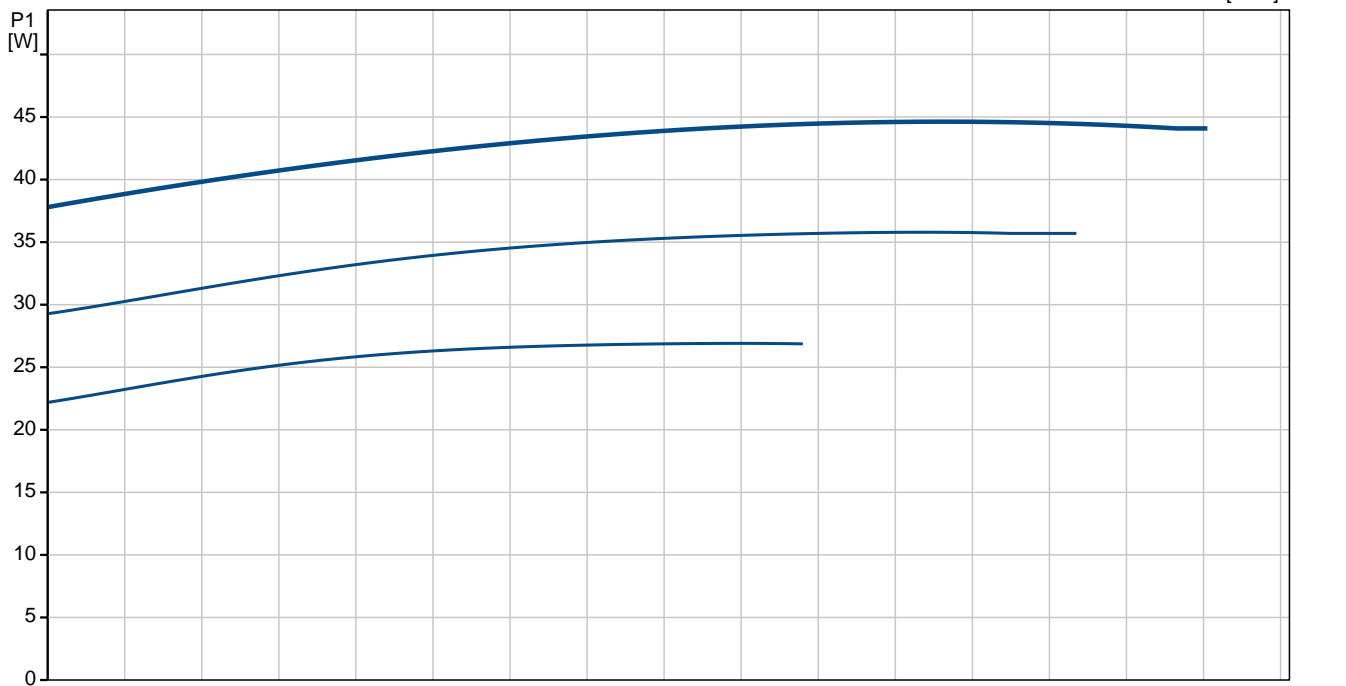
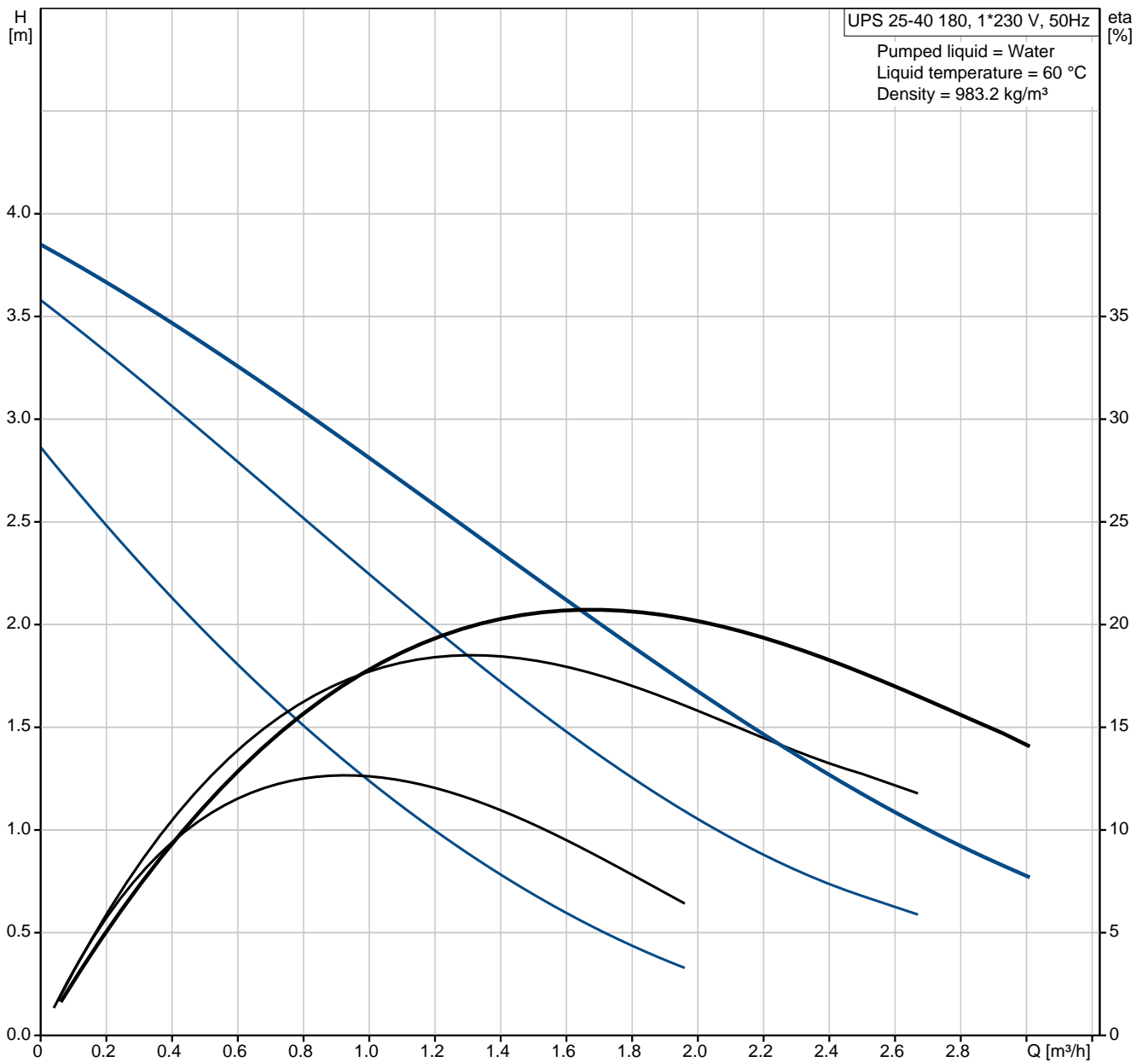
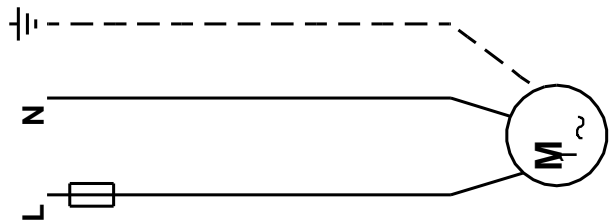
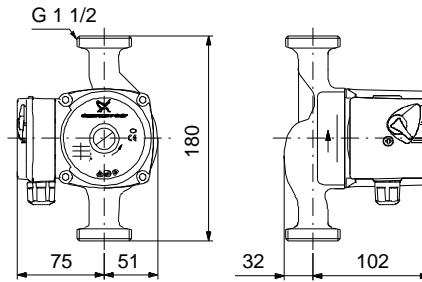
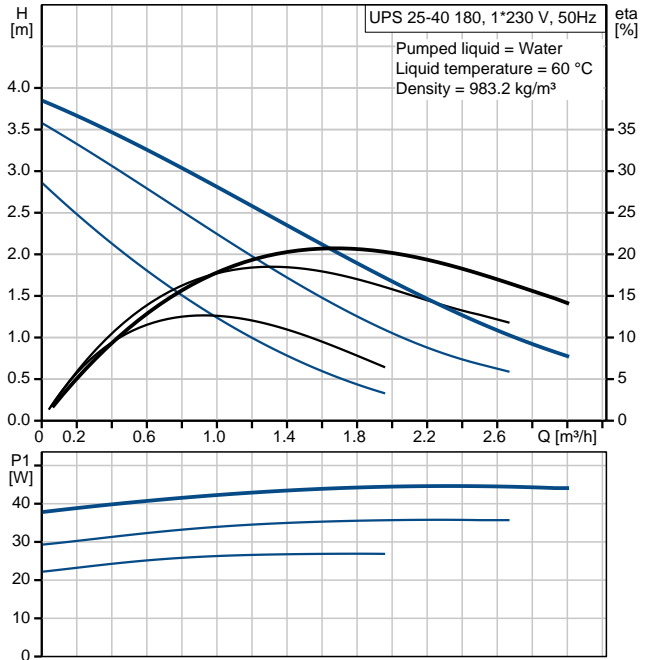
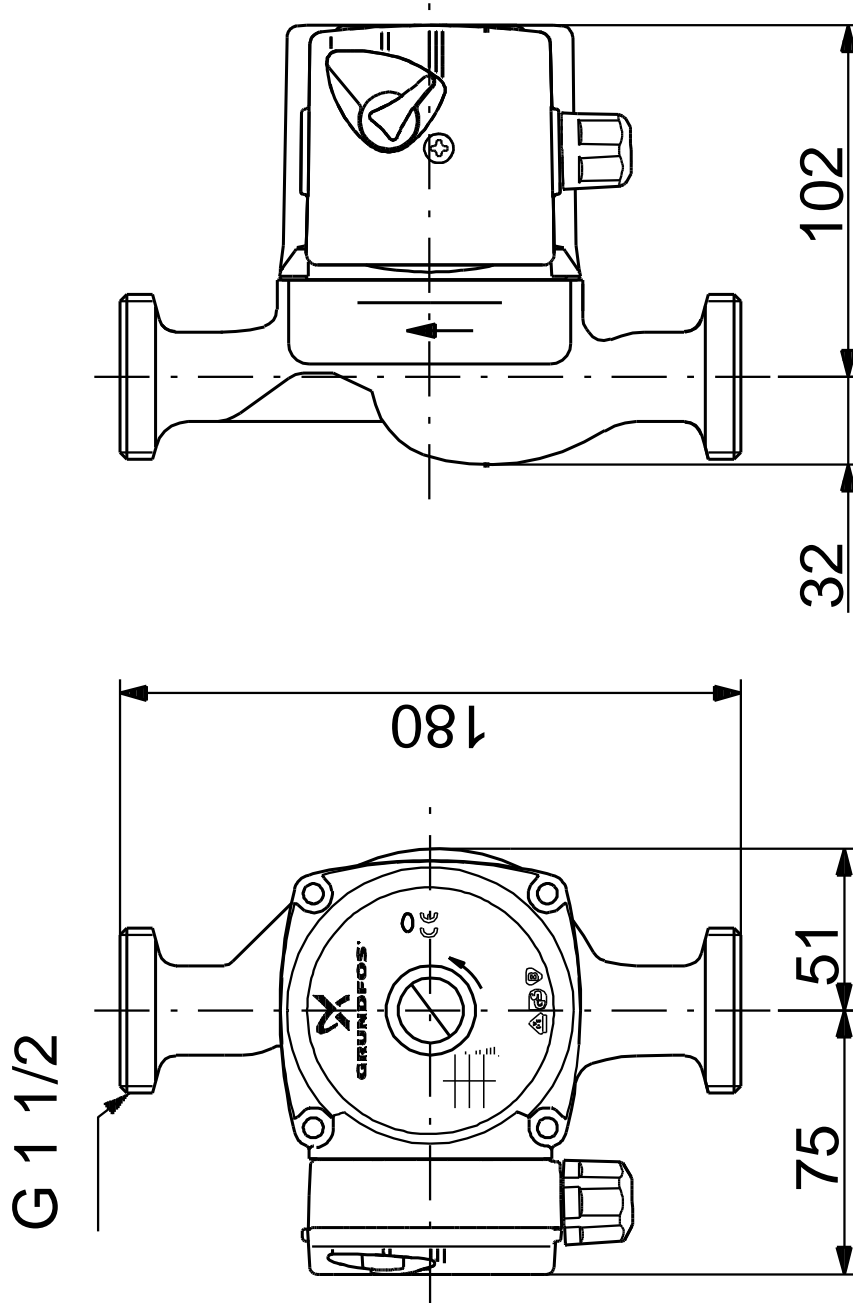


96281384 UPS 25-40 180 50 Hz



| Description | Value |
|------------------------------|-------------------------------------|
| Product name: | UPS 25-40 180 |
| Product No: | 96281384 |
| EAN number: | 5700830382271 |
| Price: | On request |
| Technical: | |
| Speed no: | 3 |
| Head max: | 40 dm |
| TF class: | 110 |
| Approvals on nameplate: | VDE,GS |
| Materials: | |
| Pump housing: | Cast iron EN-JL1030 ASTM 30 B |
| Impeller: | Composite, PES/PP |
| Installation: | |
| Amb. max at 80 dgr C liquid: | 40 °C |
| Maximum operating pressure: | 10 bar |
| Pipe connection: | G 1 1/2 |
| Pressure stage: | PN 10 |
| Port-to-port length: | 180 mm |
| Liquid: | |
| Pumped liquid: | Water |
| Liquid temperature range: | 2 .. 110 °C |
| Liquid temp: | 60 °C |
| Density: | 983.2 kg/m ³ |
| Kinematic viscosity: | 1 mm ² /s |
| Electrical data: | |
| Power input in speed 1: | 25 W |
| Power input in speed 2: | 35 W |
| Max. power input: | 45 W |
| Mains frequency: | 50 Hz |
| Rated voltage: | 1 x 230 V |
| Current in speed 1: | 0.12 A |
| Current in speed 2: | 0.16 A |
| Current in speed 3: | 0.2 A |
| Capacitor size - run: | 1.5 µF |
| Enclosure class (IEC 34-5): | IP44 |
| Insulation class (IEC 85): | F |
| Motor protec: | NONE |
| Thermal protec: | Impedance protected |
| Controls: | |
| Pos term box: | 9H |
| Others: | |
| Net weight: | 2.6 kg |
| Gross weight: | 2.8 kg |
| Shipping volume: | 0.004 m ³ |





Note! All units are in [mm] unless others are stated.
Disclaimer: This simplified dimensional drawing does not show all details.