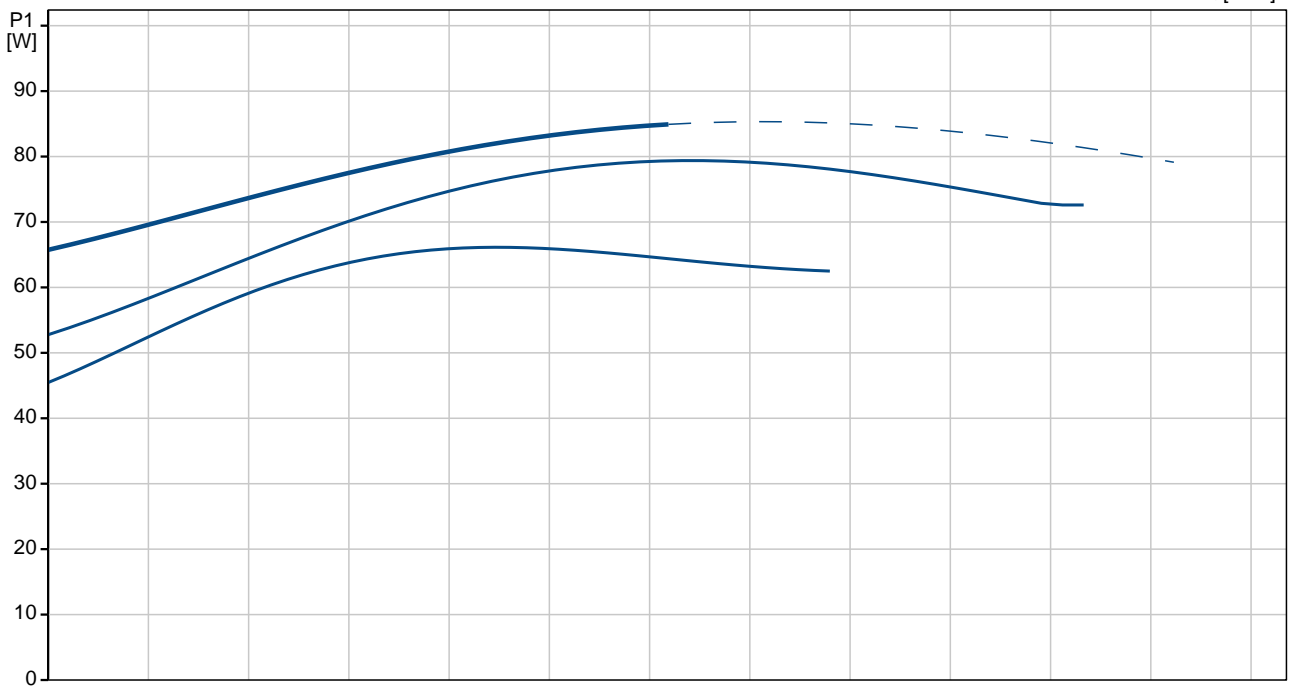
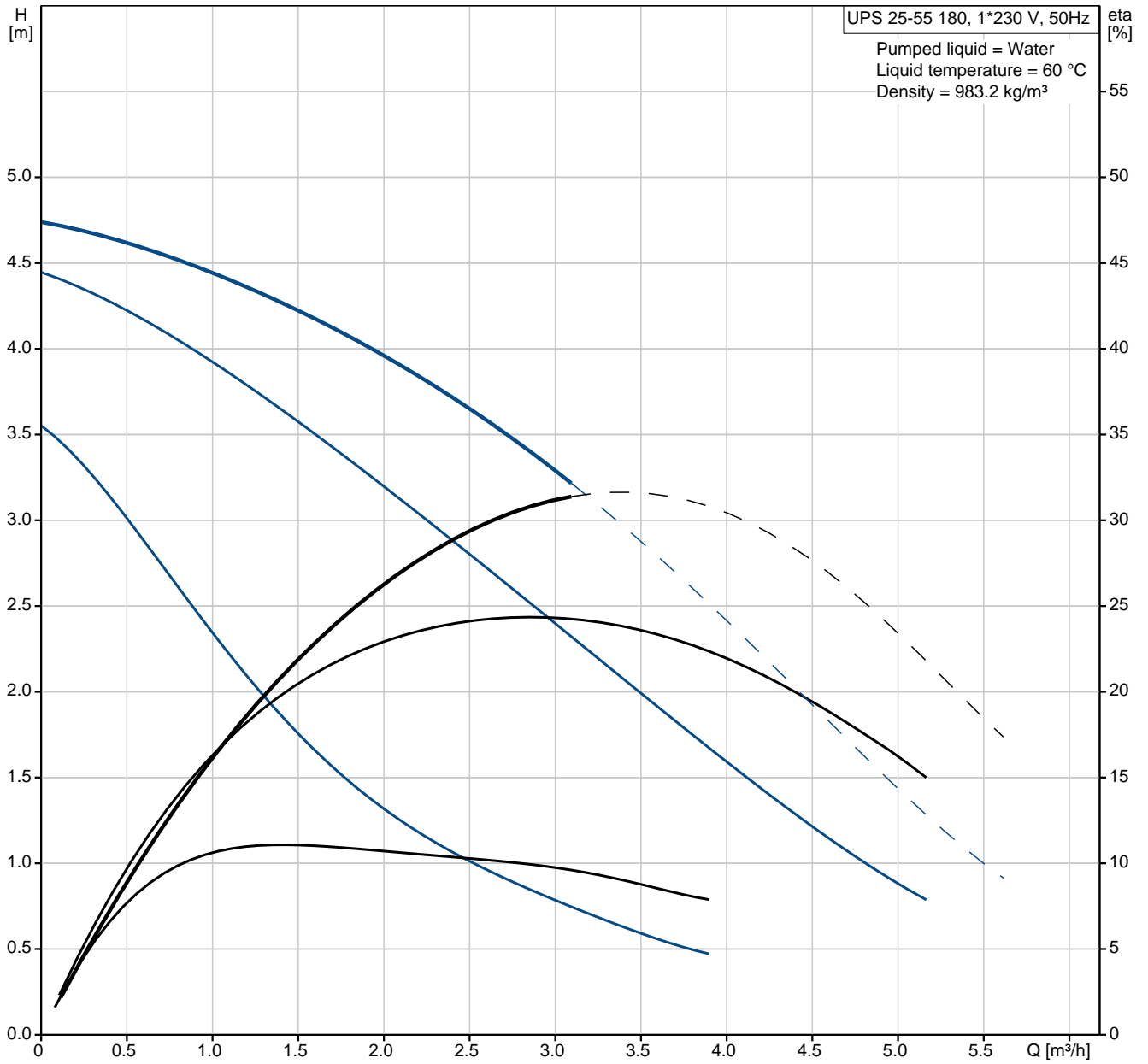
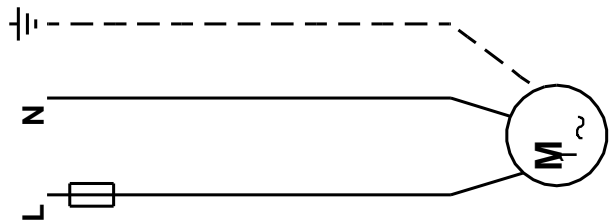
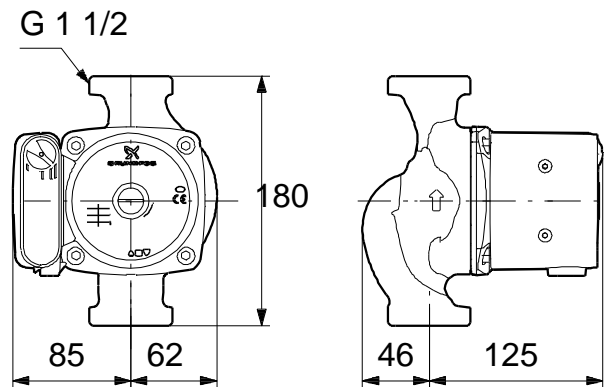
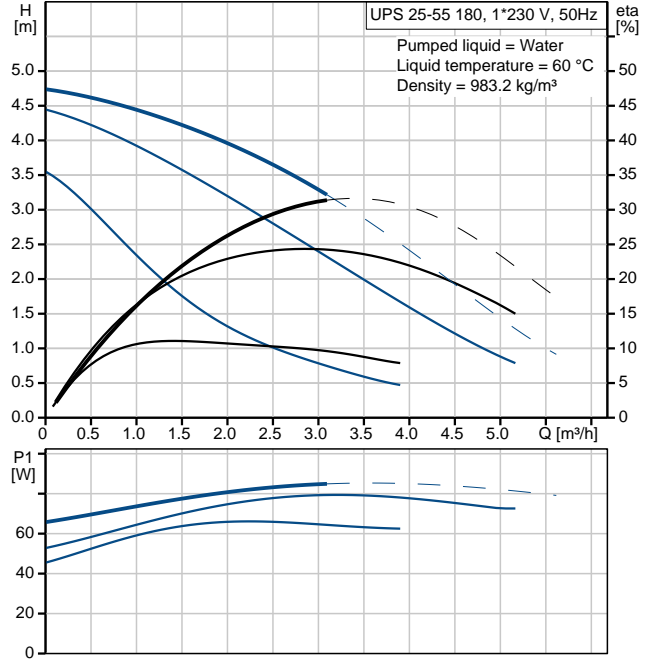


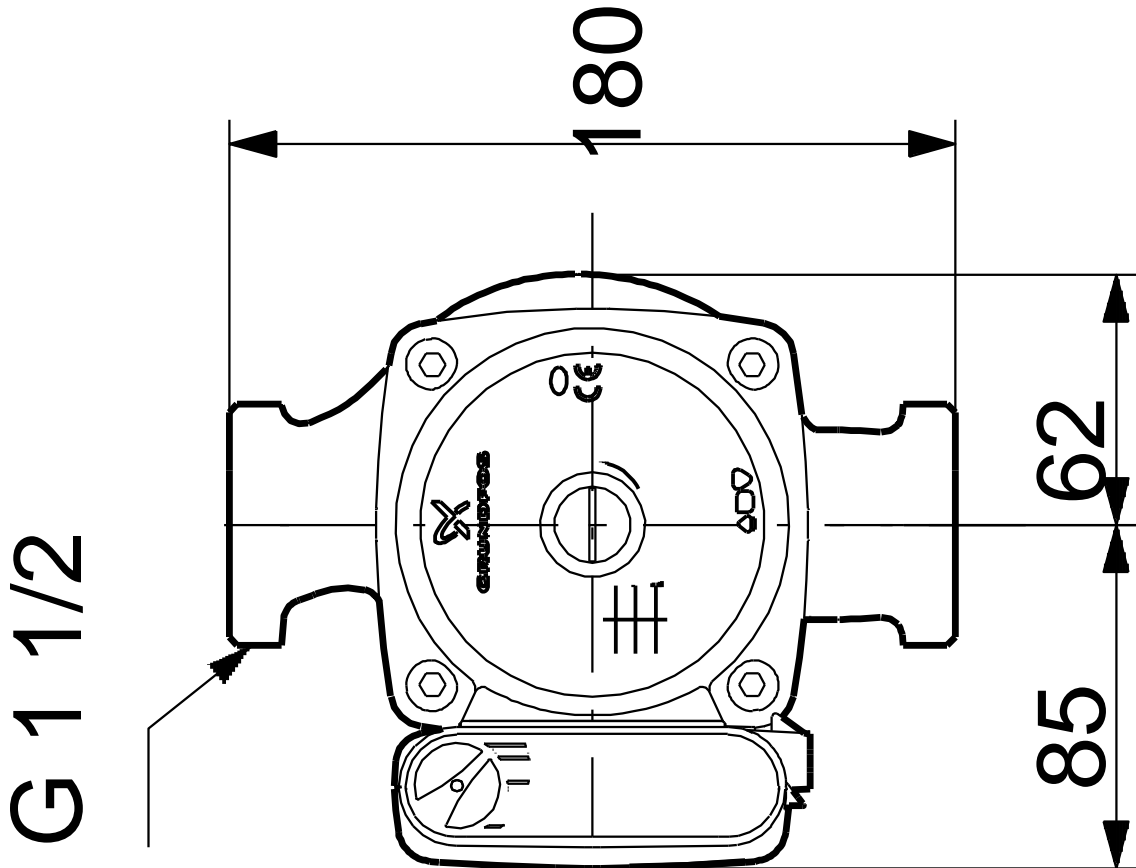
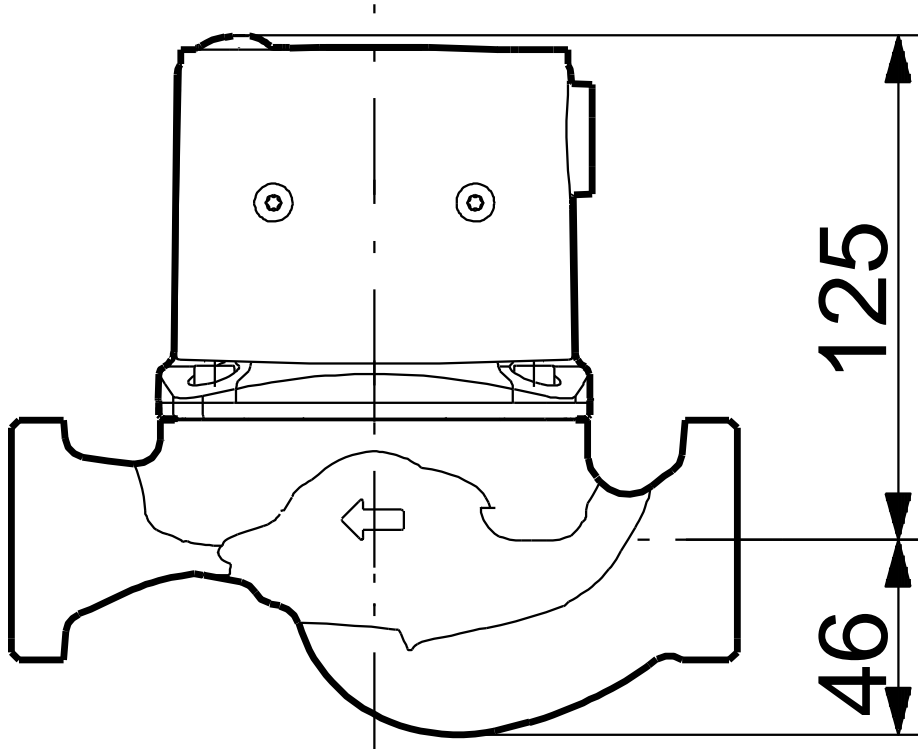
# 95906404 UPS 25-55 180 50 Hz



Description	Value
Product name:	UPS 25-55 180
Product No:	95906404
EAN number:	5700310298238
Price:	On request
<b>Technical:</b>	
Speed no:	3
Head max:	55 dm
TF class:	110
<b>Materials:</b>	
Pump housing:	Cast iron EN-JL1030 ASTM 30 B
Impeller:	Composite, PES/PP
<b>Installation:</b>	
Amb. max at 80 dgr C liquid:	40 °C
Maximum operating pressure:	10 bar
Pipe connection:	G 1 1/2
Pressure stage:	PN 10
Port-to-port length:	180 mm
<b>Liquid:</b>	
Pumped liquid:	Water
Liquid temperature range:	-25 .. 110 °C
Liquid temp:	60 °C
Density:	983.2 kg/m <sup>3</sup>
Kinematic viscosity:	1 mm <sup>2</sup> /s
<b>Electrical data:</b>	
Power input in speed 1:	65 W
Power input in speed 2:	80 W
Max. power input:	85 W
Mains frequency:	50 Hz
Rated voltage:	1 x 230 V
Current in speed 1:	0.3 A
Current in speed 2:	0.36 A
Current in speed 3:	0.38 A
Capacitor size - run:	2.5 µF
Enclosure class (IEC 34-5):	X4D
Insulation class (IEC 85):	F
Motor protec:	CONTACT
Thermal protec:	internal
<b>Controls:</b>	
Pos term box:	9H



95906404 UPS 25-55 180 50 Hz



Note! All units are in [mm] unless others are stated.  
Disclaimer: This simplified dimensional drawing does not show all details.